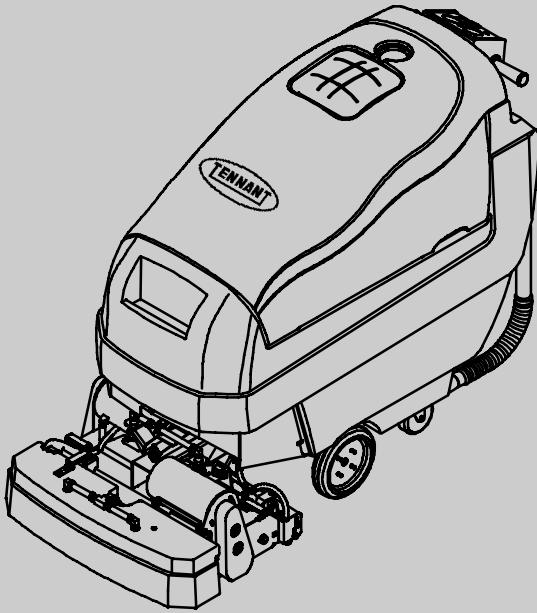




1610

Dual Technology Carpet Cleaner
Limpiador de alfombras de tecnología dual
Dispositif de Nettoyage de Moquettes
Double Technologie

Operator Manual
Manual De Operador
Opérateur Manuel



READY SPACE®

More than clean, it's ReadySpace.™



OPERATION


This manual is furnished with each new model. It provides necessary operation and maintenance instructions and an illustrated parts list.

Read this manual completely and understand the machine before operating or servicing it.

A complete illustrated Parts Manual is also furnished with each new model. Use the Parts Manual to order replacement parts. To ensure prompt delivery, follow the "HOW TO ORDER PARTS" instructions printed in the Parts Manual.


This machine will provide excellent service. However, the best results will be obtained at minimum costs if:

- The machine is operated with reasonable care.
- The machine is maintained regularly - per the machine maintenance instructions provided.
- The machine is maintained with manufacturer supplied or equivalent parts.



PROTECT THE ENVIRONMENT

Please dispose of packaging materials, old machine components such as batteries, hazardous fluids such as antifreeze and oil, in a safe environmentally way according to your local waste disposal regulations.



Always remember to recycle.

MACHINE DATA

Please fill out at time of installation for future reference.

Model No.- _____

Install. Date - _____

Serial No.- _____

Tennant Company

PO Box 1452

Minneapolis, MN 55440

Phone: (800) 553-8033 or (763) 513-2850

www.tennantco.com

Specifications and parts are subject to change without notice.

Copyright ©2007 Tennant Company. All rights reserved.
Printed in U.S.A.

TABLE OF CONTENTS	(ESPAÑOL....29)	(FRANÇAIS....61)	
SAFETY PRECAUTIONS	4	DRAINING TANKS	16
SAFETY LABELS	5	CHARGING BATTERIES	16
MACHINE COMPONENTS	6	MACHINE MAINTENANCE	17
CONTROL CONSOLE SYMBOLS	7	DAILY MAINTENANCE	17
MACHINE INSTALLATION	8	WEEKLY MAINTENANCE	18
UNCRATING MACHINE	8	MONTHLY MAINTENANCE	19
INSTALLING BATTERIES	8	MOTOR MAINTENANCE	21
DUAL CLEANING TECHNOLOGY	9	BATTERY MAINTENANCE	21
HOW THE DUAL TECHNOLOGY WORKS .	9	PRIMING SOLUTION SYSTEM	22
MACHINE SETUP	10	MACHINE JACKING	22
PREPARING MACHINE FOR READYSpace		TRANSPORTING MACHINE	22
CLEANING	10	STORING MACHINE	23
PREPARING MACHINE FOR RESTORATIVE		RECOMMENDED STOCK ITEMS	23
EXTRACTION CLEANING	11	TROUBLESHOOTING	24
FILLING SOLUTION TANK	12	MACHINE SPECIFICATIONS	26
ADJUSTING CONTROL CONSOLE		MACHINE DIMENSIONS	26
HEIGHT	12	SOLUTION FLOW DIAGRAM	
MACHINE OPERATION	12	(AFTER SERIAL NUMBER 10314332)	27
PRE-OPERATION CHECKS	12	SOLUTION FLOW DIAGRAM	
OPERATING MACHINE	12	(BEFORE SERIAL NUMBER 10314332)	28
WHILE OPERATING MACHINE	13		
ACCESSORY TOOL CLEANING			
(OPTION)	14		
OPERATING ACCESSORY TOOLS:	14		
MACHINE CIRCUIT BREAKERS	15		
HOUR METER	15		


OPERATION

SAFETY PRECAUTIONS

This machine is intended for commercial use. It is designed exclusively to clean carpets and upholstery in an indoor environment and is not constructed for any other use. Only use recommended accessory tools and commercially available carpet cleaners intended for machine application.

All operators must read, understand and practice the following safety precautions.

The following warning alert symbol and the "FOR SAFETY" heading are used throughout this manual as indicated in their description:

 **WARNING:** To warn of hazards or unsafe practices which could result in severe personal injury or death.

FOR SAFETY: To identify actions which must be followed for safe operation of equipment.

Failure to follow these warnings may result in personal injury, electrical shock, fire or explosion.

 **WARNING:** Fire Or Explosion Hazard:

- Do Not Use Flammable Liquids Or Operate Machine In Or Near Flammable Liquids, Vapors Or Combustible Dusts.

This machine is not equipped with explosion proof motors. The electric motors will spark upon start up and during operation which could cause a flash fire or explosion if machine is used in an area where flammable vapors/liquids or combustible dusts are present.

- Do Not Pick Up Flammable Materials Or Reactive Metals.
- Batteries Emit Hydrogen Gas. Keep Sparks And Open Flame Away. Keep Battery Compartment Open When Charging.

 **WARNING:** Electrical Hazard. Disconnect Battery Cables Before Servicing Machine.

 **WARNING:** Pinch Point Hazard. Stay Clear Of Scrub Head Lift Area.

The following information signals potentially dangerous conditions to the operator or equipment:

FOR SAFETY:

1. Do not operate machine:
 - With flammable liquids or near flammable vapors as an explosion or flash fire may occur.
 - Unless trained and authorized.
 - Unless operator manual is read and understood.
 - If not in proper operating condition.
2. Before operating machine:
 - Make sure all safety devices are in place and operate properly.
 - Place "wet floor" signs as needed.
3. When using machine:
 - Go slow on inclines and slippery surfaces.
 - Reduce speed when turning.
 - Report machine damage or faulty operation immediately.
 - Never allow children to play on or around.
 - Follow mixing and handling instructions on chemical containers.
4. Before leaving or servicing machine:
 - Stop on level surface.
 - Turn off machine.
 - Remove key.
5. When servicing machine:
 - Avoid moving parts. Do not wear loose jackets, shirts, or sleeves.
 - Disconnect battery connections before working on machine.
 - Block machine tires before jacking up.
 - Jack machine up at designated locations only. Block machine up with jack stands.
 - Use hoist or jack that will support the weight of the machine.
 - Do not power spray or hose off machine. Electrical malfunction may occur.
 - Wear protective gloves and eye protection when handling batteries or battery cables.
 - Avoid contact with battery acid.
 - Use manufacturer supplied or approved replacement parts.
 - All repairs must be performed by a qualified service person.
 - Do not modify the machine from its original design.

6. When transporting machine:

- Turn machine off.
- Use a recommended ramp when loading/unloading on/off truck or trailer.
- Lower scrub head.
- Place blocks behind wheels and use tie-down straps to secure machine.

SAFETY LABELS

The safety labels appear on the machine in the locations indicated. Replace labels if they are missing or become damaged or illegible.

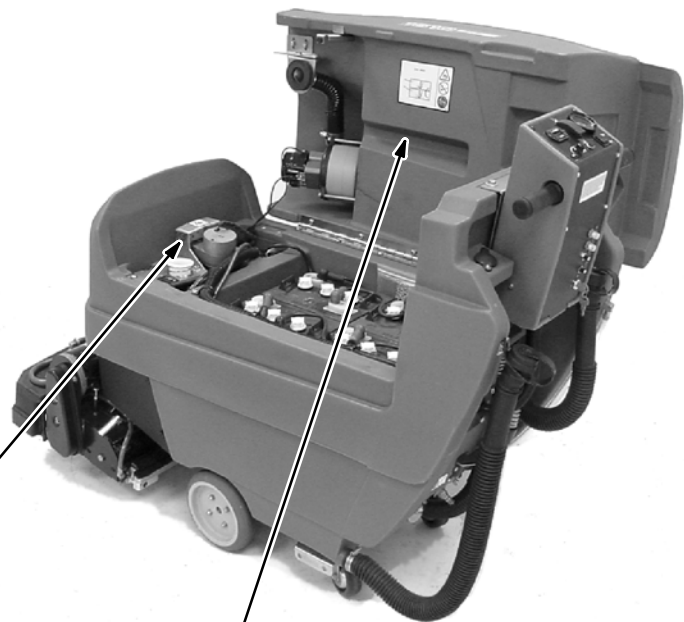
WARNING LABEL - Located on recovery tank lid.

⚠ WARNING	⚠ AVERTISSEMENT	⚠ ADVERTENCIA
   	<p>EXPLOSION, FIRE AND SHOCK HAZARD. AVOID INJURY.</p> <ul style="list-style-type: none"> • Do Not Use or Pick Up Flammable Materials. • Do Not Use Near Flammable Liquids, Vapors or Combustible Dusts. • Keep Sparks and Open Flame Away When Charging Batteries. Keep Battery Hood Open When Charging. • Disconnect Battery Cables and Charger Cord Before Servicing. 	<p>RISQUE D'EXPLOSION, D'INCENDIE ET DE DÉCHARGE. ÉVITEZ LES BLESSURES.</p> <ul style="list-style-type: none"> • N'utilisez Pas ou Ne Ramassez Pas de Matériaux Inflammables. • N'utilisez Pas Près de Liquides, Vapeurs ou Poussières Inflammables. • Eloignez les Sources d'Étincelles ou de Flamme Ouverte Lors du Chargement des Batteries. Laissez Ouvert le Capot du Compartiment des Batteries Lors de la Mise en Charge. • Débranchez les Câbles de Batterie et la Cordon du Chargeur Avant l'Entretien.
		<p>PELIGRO DE EXPLOSIÓN, FUEGO, DESCARGA EVITE LESIONES.</p> <ul style="list-style-type: none"> • No Use Ó Recoja Materiales Flamables. • No Use Cerca De Líquidos Flamables, Vapores Ó Materiales Combustibles. • Mantenga Chispas Y Fuego Alejados Mientras Carga Baterías. Mantenga Tapa De Batería Abierta Mientras Carga. • Desconecte Cable De Batería Y Cable Del Cargador Antes Del Mantenimiento.
		1026386



PINCH POINT HAZARD LABEL -
 Located on scrub head shroud and near the scrub head lift actuator.

⚠ WARNING: Pinch Point Hazard. Stay Away Of Scrub Head Lift Area.

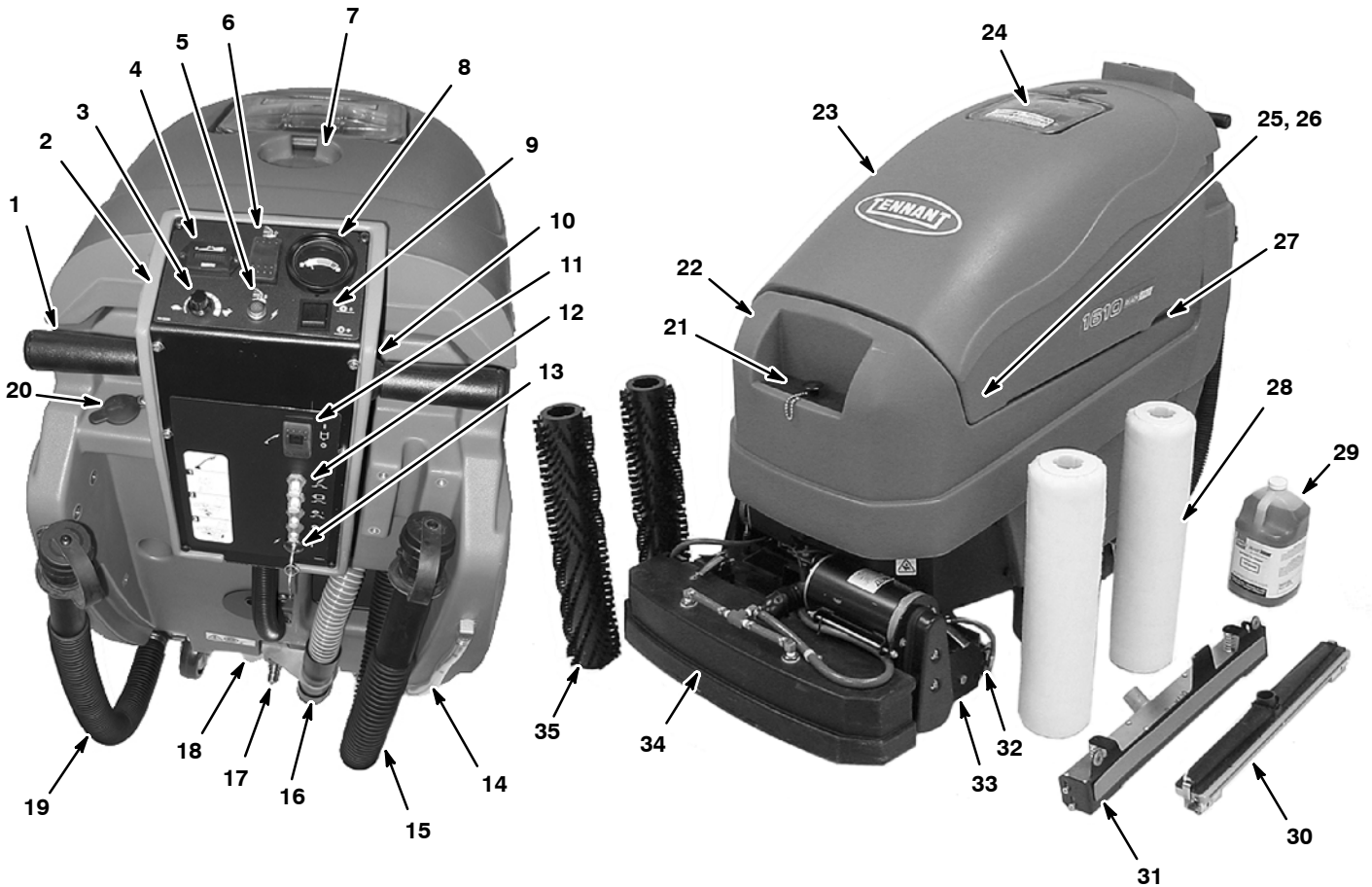


BATTERY CHARGE LABEL -
 Located on bottom side of recovery tank.

⚠ WARNING: Fire Or Explosion Hazard. Batteries Emit Hydrogen Gas. Keep Sparks And Open Flame Away. Keep battery Compartment Open When Charging.

OPERATION

MACHINE COMPONENTS



1. Control Grips
2. Control Console
3. Speed Control Knob
4. Battery Meter
5. Main Power Indicator Light
6. Scrub Head Lift/Lower Switch
7. Bottle Holder
8. Brush Pressure Meter
9. Brush Pressure Switch
10. Control Console Height Adjustment Lever
11. Solution On/Off Switch
12. Circuit Breaker Panel
13. Main Power Key Switch
14. Solution Tank Sight Gauge
15. Recovery Tank Drain Hose
16. Accessory Tool Vacuum Hose Connector
17. Accessory Tool Solution Hose Coupler
18. Solution Tank Filter

19. Solution Tank Drain Hose
20. Solution Tank Rear Fill Port
21. Solution Tank Front Fill Port
22. Solution Tank
23. Recovery Tank
24. Recovery Tank Lid
25. Battery Charge Receptacle
26. Hour Meter
27. Battery Compartment
28. ReadySpace Rollers
29. ReadySpace Pre-Treatment Detergent
30. ReadySpace Vacuum Shoe (2 supplied)
31. Extractor Vacuum Shoe
32. ReadySpace Flush Line (2)
33. Scrub Head
34. Spray Tip Bumper
35. Extractor Brushes

CONTROL CONSOLE SYMBOLS



Main Power Indicator Light



Scrub Head Lift/
Transport Position



Main Power 10A
Circuit Breaker



Battery Meter



Scrub Head Lower/
Cleaning Position



Brush Motor
17A Circuit Breaker



Brush Pressure



Brush Motor
17A Circuit Breaker



Slow Speed



Solution Flow



Fast Speed



Off-Aisle Wand
(Accessory Tool)



Drive Motor 20A
Circuit Breaker

OPERATION

MACHINE INSTALLATION

UNCRATING MACHINE

1. Carefully check shipping crate for signs of damage. Report damages at once to carrier.
2. Check the contents list, contact distributor for missing items.
Contents:
 - Machine
 - 2 Extractor Brushes
 - 2 ReadySpace Rollers
 - 1 Extractor Vacuum Shoe
 - 2 ReadySpace Vacuum Shoes (installed)
 - 2 Scrub Head Flush Lines (installed)
 - Scrub Head Vacuum Tube (Installed)
 - ReadySpace Pre-Treatment detergent (1 gal.)
 - 24DC/120AC 20A Battery Charger (Option)
 - 4 6VDC, 235AH Batteries (Option - Installed)
 - Battery Tray (installed)
 - 3 381mm (15") Battery Cables
 - 8 Battery Post Covers
 - 8 Battery Cable Rubber Boots
 - 6mm Hex Head Tool
 - Operator Training CD-ROM (#1019259)
3. To uncrate the machine, remove the shipping hardware and straps that secure the machine to the pallet. Use the attached ramp and carefully back the machine off the pallet. Make sure the scrub head is in the raised position.

ATTENTION: Use the supplied ramp when uncrating the machine to prevent machine damage.

INSTALLING BATTERIES

⚠ WARNING: Fire Or Explosion Hazard. Batteries Emit Hydrogen Gas. Keep Sparks And Open Flame Away. Keep Battery Hood Open When Charging.

FOR SAFETY: When servicing machine, wear protective gloves and eye protection when handling batteries and battery cables. Avoid contact with battery acid.

Recommended Battery Specifications:

Four 6 volt, deep cycle, 235 AH batteries. Maximum battery dimensions are 181 mm (7.13 in) W x 260 mm (10.25 in) L x 292 mm (11.50 in) H.

1. Park the machine on a level surface and remove the key from the machine.
2. Lift the recovery tank to access the battery compartment (Figure 1). Remove the loose battery cables from the compartment.



FIG. 1

3. Carefully install the batteries into the battery compartment tray and arrange the battery posts as shown (Figure 2).

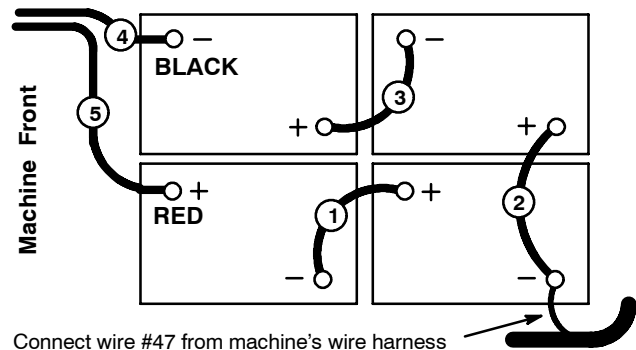


FIG. 2

4. Before connecting the battery cables, make sure the terminals and posts are clean. Use a post cleaner and wire brush if necessary.

NOTE: Apply a light coating of non-metallic grease or protective spray on the cable connections to prevent battery corrosion.

5. Connect the cables to the battery posts in numerical order as labeled (Figure 2), RED TO POSITIVE & BLACK TO NEGATIVE. Use the battery post covers and rubber boots supplied.
6. After installing the batteries, check the battery meter charge level. The machine must be in full operation for an accurate reading (See MACHINE OPERATION). Charge batteries if needed.

DUAL CLEANING TECHNOLOGY

The machine offers two cleaning technologies, Restorative Extraction and Soil Transfer Extraction which is referred to as ReadySpace. By using both technologies you can easily develop a cleaning program to greatly extend the use-life of your carpet. With the simple exchange of a vacuum shoe and two rollers or brushes you can easily switch from one technology to the other.

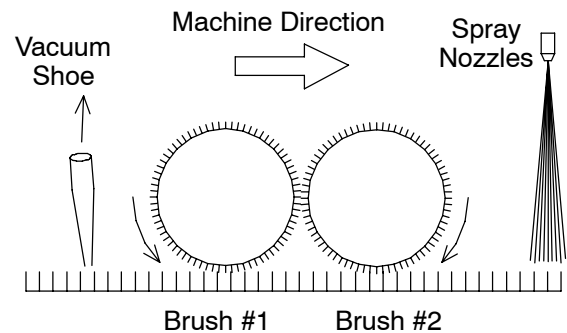
Restorative Extraction: Use this technology periodically to thoroughly clean to the base of the carpet. The amount and type of daily traffic are important factors to determine how often restorative extraction should be performed. This type of cleaning should be planned in advance to allow enough time for the extracted carpet to dry.

ReadySpace: Use this technology to clean visible soils on a daily basis or as needed to maintain a high level of carpet cleanliness. ReadySpace may be used during normal business hours because often the carpet is dry in less than 30 minutes. Drying time may vary due to carpet type and climate conditions.

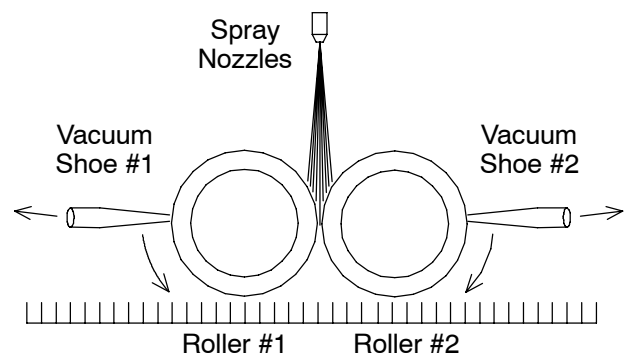
NOTE: Before using ReadySpace, first use restorative extraction if carpets are heavily soiled. Then begin your ReadySpace cleaning program.

HOW THE DUAL TECHNOLOGY WORKS

Restorative Extraction: Hot water and cleaning detergent from the solution tank is sprayed directly onto the carpet. As the machine moves forward, two counter-rotating chevron brushes agitate the solution deep into the carpet. As the machine continues to move forward, the vacuum shoe recovers the dirty solution out of the carpet.



ReadySpace: Cleaning detergent is pre-sprayed on the carpet with the use of a pump-up sprayer. After allowing the detergent to dwell for about 5-10 minutes, the machine is then put to work. Hot water is sprayed directly on two counter-rotating nylon fiber rollers, not the carpet. Then much of the water is removed from the rollers using two vacuum shoes, leaving the rollers damp. The damp rollers then agitate the carpet, working both sides of the carpet fiber, at the same time transferring the soil to the rollers. Again, hot rinse water is sprayed on the soiled rollers allowing the two vacuum shoes to easily extract the soil from the rollers.



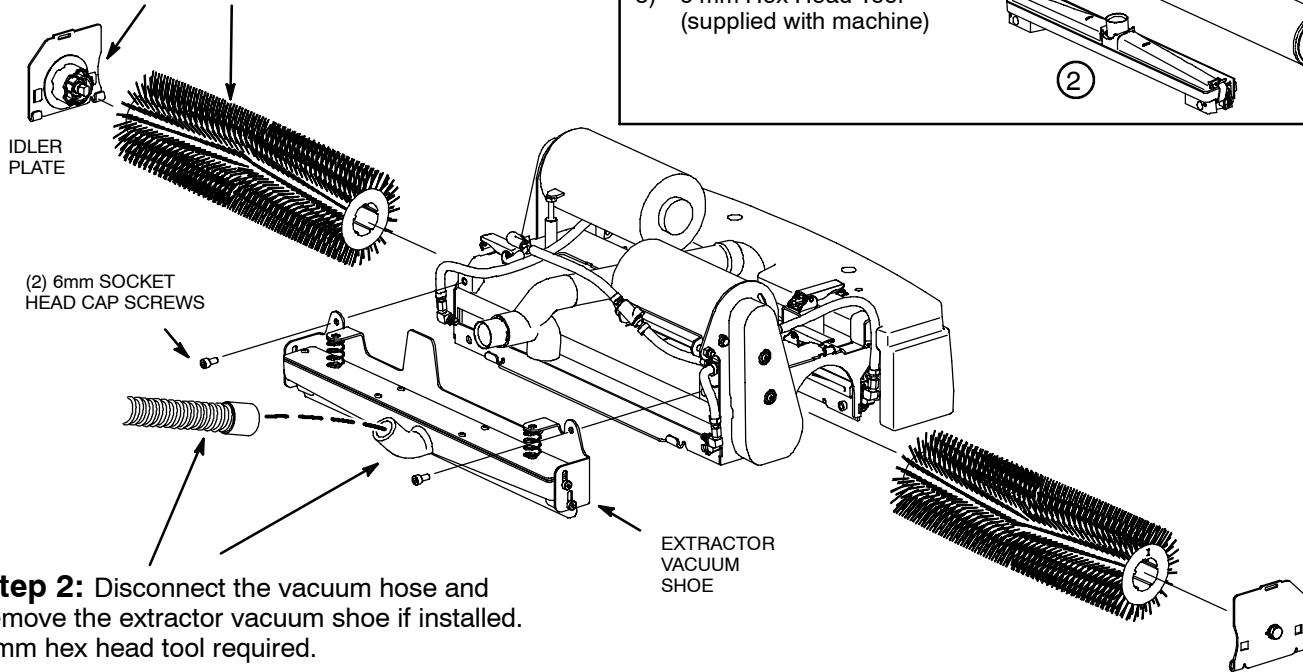
OPERATION

MACHINE SETUP

PREPARING MACHINE FOR READYSpace CLEANING

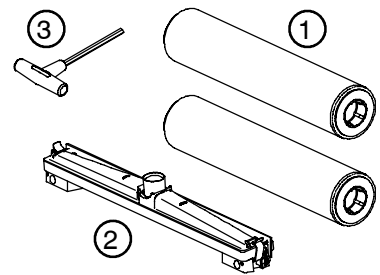
FOR SAFETY: Before preparing machine, turn machine off and remove key.

Step 1: Unlatch the idler plates and remove the two extractor brushes if installed.



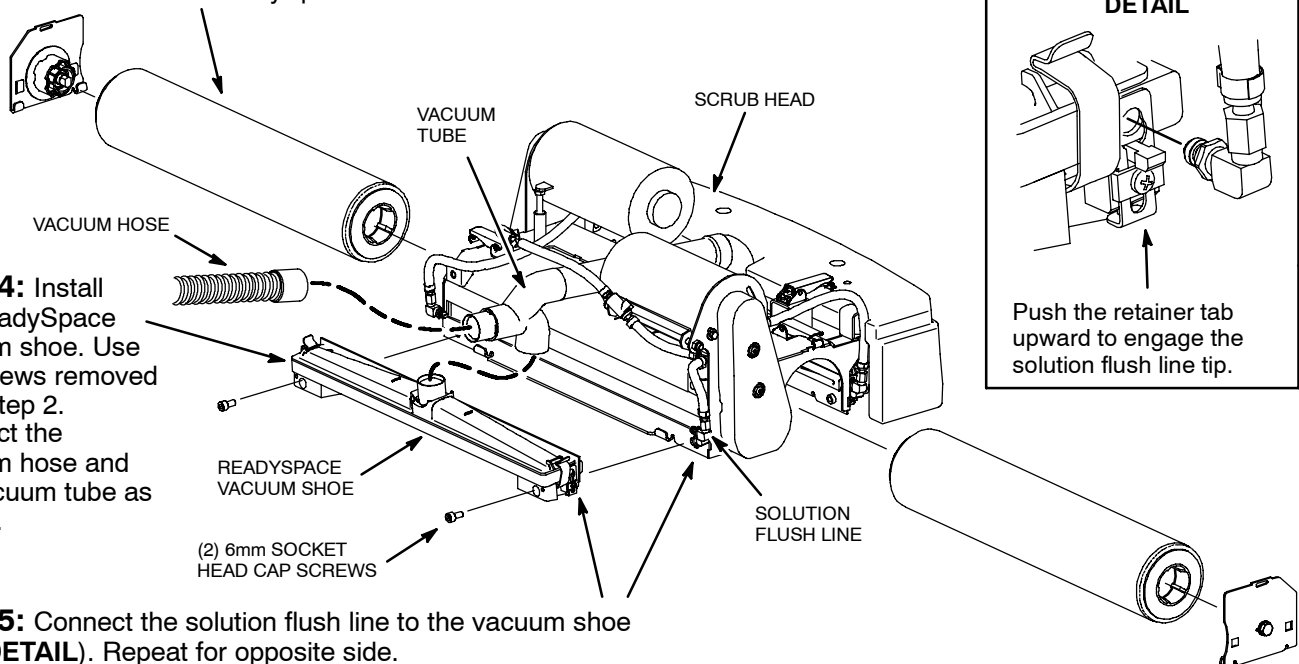
Equipment Needed:

- 1) Two ReadySpace Rollers
- 2) Rear ReadySpace Vacuum Shoe
- 3) 6 mm Hex Head Tool (supplied with machine)



Step 2: Disconnect the vacuum hose and remove the extractor vacuum shoe if installed. 6mm hex head tool required.

Step 3: Install the two ReadySpace Rollers.



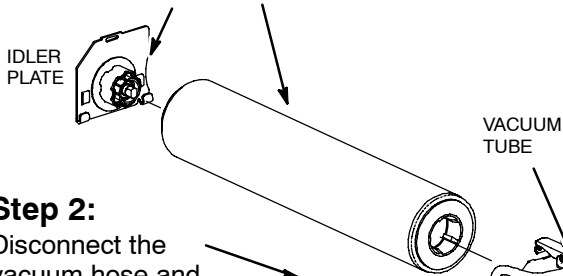
Step 4: Install the ReadySpace vacuum shoe. Use the screws removed from Step 2. Connect the vacuum hose and the vacuum tube as shown.

Step 5: Connect the solution flush line to the vacuum shoe (See **DETAIL**). Repeat for opposite side.

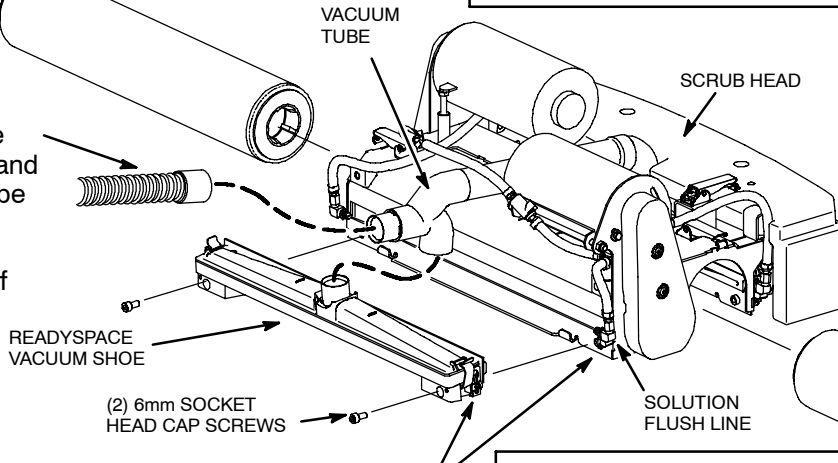
PREPARING MACHINE FOR RESTORATIVE EXTRACTION CLEANING

FOR SAFETY: Before preparing machine, turn machine off and remove key.

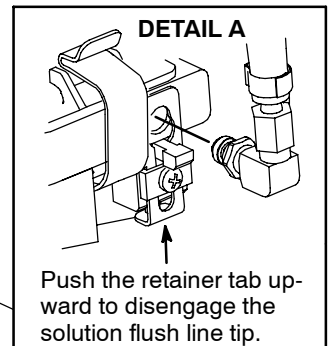
Step 1: Unlatch the idler plates and remove the two ReadySpace rollers if installed.



Step 2: Disconnect the vacuum hose and the vacuum tube from the rear ReadySpace vacuum shoe if installed.



Step 3: Disconnect the solution flush lines from the rear vacuum shoe (See **DETAIL A**).

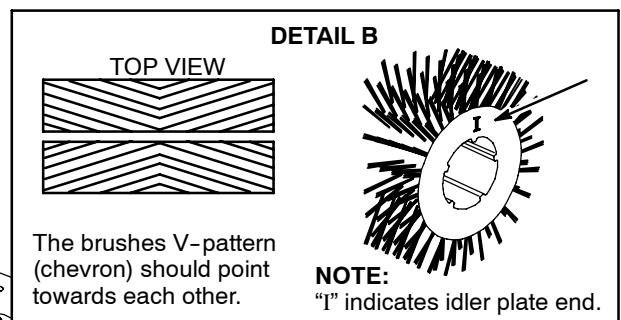
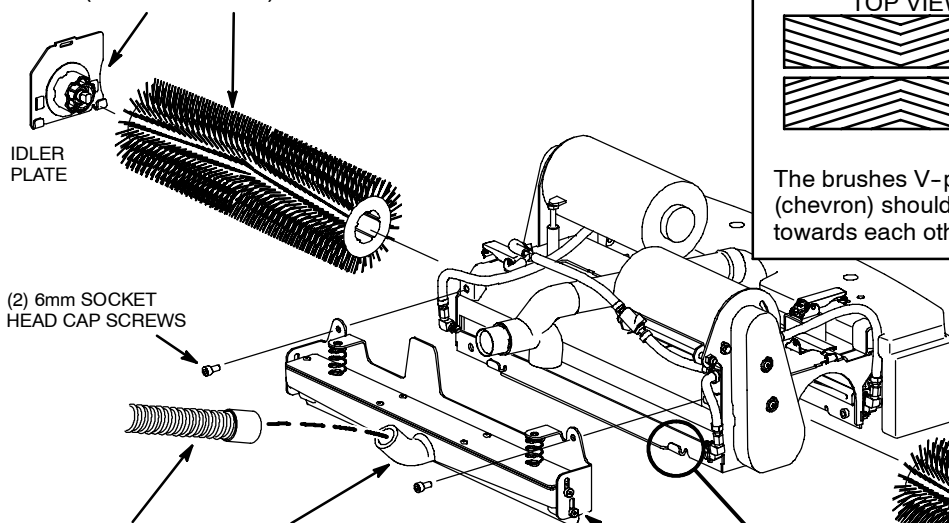


Push the retainer tab upward to disengage the solution flush line tip.

Step 4: Remove the ReadySpace vacuum shoe. 6 mm hex head tool required.

NOTE: To prevent misplacing, DO NOT remove the disabled solution flush lines and the vacuum tube from the scrub head.

Step 5: Install the two extractor brushes (See **DETAIL B**).



The brushes V-pattern (chevron) should point towards each other.

NOTE: "I" indicates idler plate end.

Step 6: Install the extractor vacuum shoe. Make sure that the shoe is positioned behind the two support tabs. Use the screws removed from Step 4. Connect the vacuum hose to the extractor vacuum shoe as shown.

EXTRACTOR VACUUM SHOE

SUPPORT TABS (2)

OPERATION

FILLING SOLUTION TANK

The machine may be filled from either the rear, using the hose fill-port, or from the front using the bucket fill-port (Figure 3).

NOTE: When filling solution tank with a bucket, make sure that the bucket is clean. Do not use the same bucket for filling and emptying the machine.

Fill the solution tank to the 75 liter mark with hot water, 60°C (140°F) maximum (Figure 3).

FOR RESTORATIVE EXTRACTION CLEANING:

Pour a recommended cleaning detergent into the solution tank. Follow mixing instructions on the bottle.

FOR READYSpace CLEANING: Do not add extractor cleaning detergents into the solution tank. Cleaning detergent must be pre-sprayed on the carpet with the use of a pump-up sprayer.

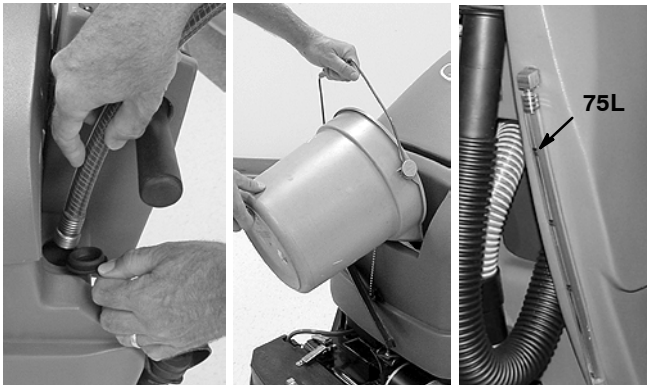


FIG. 3

ATTENTION: When using the machine for restorative extraction cleaning, only use recommended cleaning detergents in the solution tank. Machine failure due to improper detergent usage will void the manufacturer's warranty.

WARNING: Fire or Explosion Hazard. Never Use Flammable Liquids.

ADJUSTING CONTROL CONSOLE HEIGHT

Pull the console height adjustment lever and lift or lower the console to a comfortable operating height. Release lever to lock the position (Figure 4).



FIG. 4

MACHINE OPERATION

FOR SAFETY: Do not operate machine unless operator manual is read and understood.

PRE-OPERATION CHECKS

NOTE: Refer to the Machine Maintenance section for further details.

- Vacuum floor and remove any debris.
- Check battery meter charge level.
- ReadySpace Cleaning: Check rollers for wear.
- Inspect spray nozzles for proper spray pattern.
- ReadySpace Cleaning: Inspect roller vacuum shoes for debris.
- Make sure recovery tank float shut-off screen is clean.
- ReadySpace Cleaning: Make sure solution tank is filled with only water, no cleaning detergents.
- Restorative Extraction Cleaning: Check spray pressure at tips. Solution system may require priming (See PRIMING SOLUTION SYSTEM).

OPERATING MACHINE

Before ReadySpace Cleaning, pre-spray the carpet with the ReadySpace Pre-Treatment detergent according to the directions on the bottle (Figure 5). Allow the detergent to dwell for 5-10 minutes.

NOTE: The ReadySpace Pre-Treatment detergent is specially formulated for ReadySpace Cleaning. Using a pre-treatment detergent other than specified may result in poor cleaning performance.



FIG. 5

1. Turn the key and the solution switch to the on (I) position (Figure 6).

NOTE: Machines manufactured before serial number 10243221 are not equipped with the solution switch upgrade. To install a solution on/off switch, order kit part number 9001593.

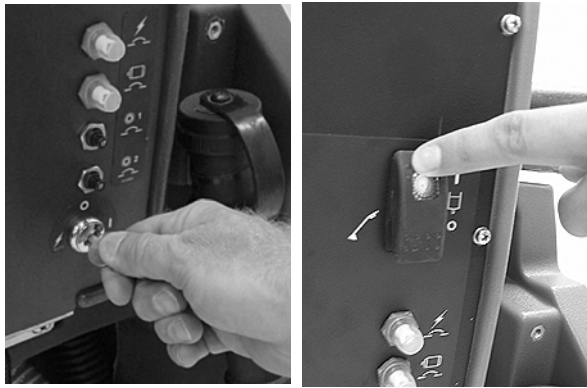


FIG. 6

2. Lower the scrub head by pressing the scrub head switch (Figure 7).

NOTE: If the machine is set up for ReadySpace cleaning, a 20 second priming process will automatically begin spraying solution when the scrub head is lowered.



FIG. 7

3. To begin cleaning, rotate the control grips forward and gradually turn the speed control knob to the recommended cleaning speed (Figure 8).

ReadySpace Cleaning: 30m (100 ft.) per minute.

Restorative Extraction Cleaning: 15m (50 ft.) per minute.

NOTE: The control grips activate the drive, brushes and solution flow.



FIG. 8

To operate the machine in reverse, simply rotate the control grips backwards. The machine will continue to clean in reverse during ReadySpace cleaning. This allows you to back clean over heavily soiled areas, into corners and tight spaces. When reversing during restorative extraction the scrub head will raise and the cleaning stops.

4. Adjust the brush pressure meter. For best cleaning results, adjust the brush pressure meter within the green zone as shown below (Figure 9).

ATTENTION: Do not operate the machine with the brush pressure meter in the red zone, circuit breakers will trip.



FIG. 9

5. To stop the machine, position the machine on a level surface and gradually release the control grips.
6. After restorative extraction cleaning, place air movers in the area to reduce the drying time.
7. Perform the DAILY MACHINE MAINTENANCE procedures.

WHILE OPERATING MACHINE

⚠ WARNING: Fire Or Explosion Hazard. Do Not Pick Up Flammable Materials Or Reactive Metals.

1. Overlap each cleaning path by 50 mm (2 in).
2. Use a collapsing rectangle pattern when cleaning large rooms (Figure 10).

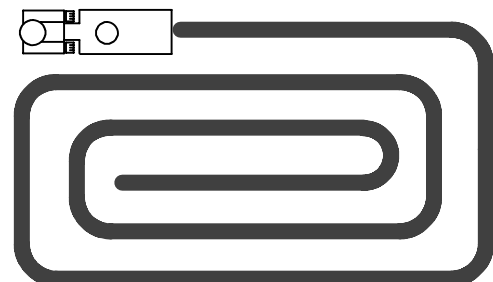


FIG. 10

OPERATION

3. Restorative Extraction Cleaning: Turn the solution switch off when turning 180° and just before coming to a stop. This will prevent un-recovered solution on floor.
4. If excessive foam appears in the recovery tank, pour a recommended foam control solution into the tank.

ATTENTION: Do not allow foam to enter the float shut-off screen, vacuum motor damage will result. Foam will not activate the float shut-off screen.

5. Do not operate machine on inclines that exceed 3° when cleaning or 11° while transporting.

FOR SAFETY: When using machine, go slow on inclines and slippery surfaces.

6. Observe the battery meter discharge level (Figure 11). When the meter begins to flash, stop scrubbing and transport the machine to the recharging area. When two lights begin to flash alternately, the scrub head will automatically raise to the transport position. This will protect the batteries from total discharge. Recharge batteries immediately.

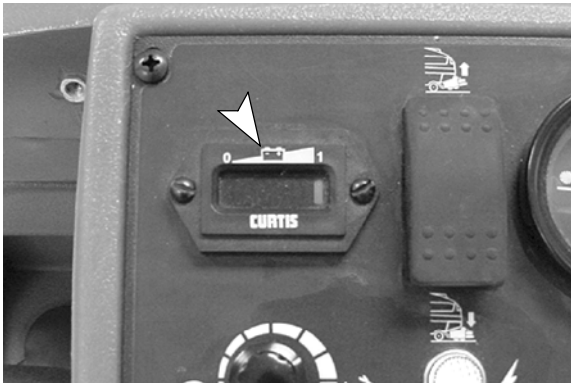


FIG. 11

7. Observe the solution tank level (Figure 12). Do not allow the solution tank to run dry when restorative extraction cleaning. If tank runs dry, the solution system will need to be reprimed (See PRIMING SOLUTION SYSTEM).



FIG. 12

8. When leaving the machine unattended, park the machine on a level surface and remove the key.

ACCESSORY TOOL CLEANING (OPTION)

Optional accessory tools allow you to clean upholstery and carpeted areas that the machine is unable to reach, such as alcoves, stairs, corners and small rooms.

Preparing Machine for Accessory Tool Cleaning:

1. Park the machine on a level surface and turn the key to the off position.
2. Connect the accessory tool's solution hose to the coupler located at the rear of the machine (Figure 13).

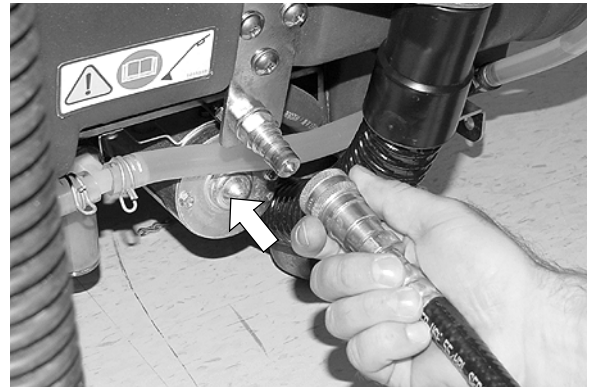


FIG. 13

3. Disconnect the lower vacuum hose from the machine and replace it with the accessory tool's vacuum hose (Figure 14).

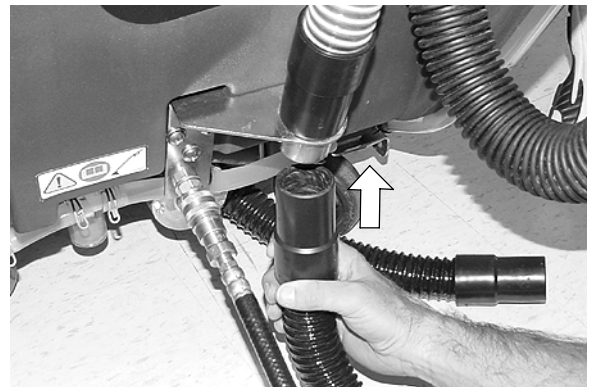


FIG. 14

4. Attach the accessory tool to the hoses.

Operating Accessory Tools:

1. Turn the key to the on (I) position.
2. Press the solution switch towards the accessory tool symbol, off (O) position (Figure 15).

NOTE: To move the machine when using the accessory tool, you must turn the solution switch on to activate the drive system if the machine is set up for ReadySpace Cleaning.

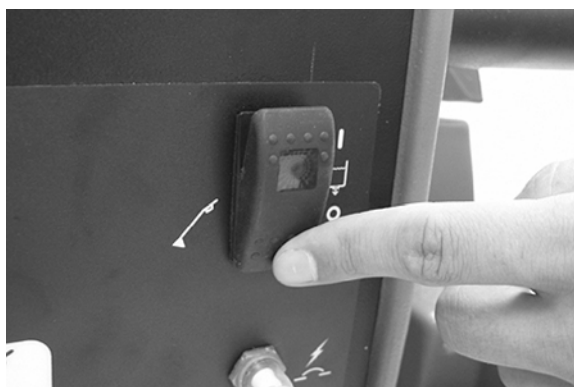


FIG. 15

3. Lower the scrub head to activate the vacuum suction (Figure 16).



FIG. 16

4. Place the accessory tool on the area to be cleaned. Squeeze the trigger on the accessory tool and slowly pull the tool backwards while applying downward pressure (Figure 17). Release the trigger 6 inches from end of stroke. When returning to the next stroke, push the tool forward over the same path with trigger released. Continue this pull and push method with a 50-100mm (2-4 inch) overlap.

NOTE: When cleaning upholstery, always follow the cleaning instructions sewn in the furniture by the manufacturer.

⚠ WARNING: Fire Or Explosion Hazard. Do Not Pick Up Flammable Materials Or Reactive Metals.



FIG. 17

5. After cleaning, relieve the water pressure from the accessory tool before disconnecting the solution hose. Squeeze trigger for five seconds after turning the key off.

MACHINE CIRCUIT BREAKERS

The machine is equipped with four resettable circuit breakers to protect the machine from damage. If a circuit breaker should trip during operation, determine the cause, allow motor to cool and then manually reset the breaker button. The circuit breaker panel is located at rear of machine (Figure 18).

- 10 Amp. Main Circuit Breaker
- 20 Amp. Drive Motor Circuit Breaker
- 17 Amp. Brush Motor Circuit Breaker #1
- 17 Amp. Brush Motor Circuit Breaker #2



FIG. 18

Each vacuum motor is protected with a 30 amp fuse. The fuses are located in the wire harness that is connected to each vacuum motor. When replacing a fuse never substitute a higher amp rated fuse than specified (Part No. 768688 - Fuse, 30AMP).

FOR SAFETY: When servicing machine, all repairs must be performed by a qualified service person.

HOUR METER

The hour meter records the number of total hours the brush motors have been powered on. Use the hour meter to determine when to perform recommended maintenance procedures and to record service history (Figure 19).

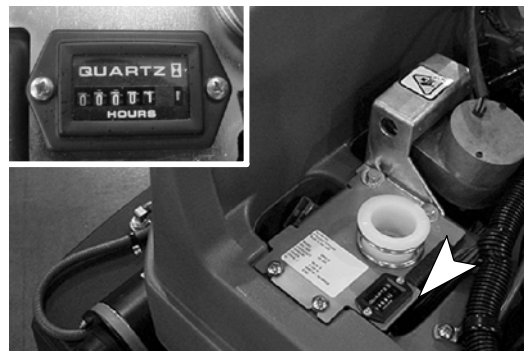


FIG. 19

OPERATION

DRAINING TANKS

Drain and rinse out the tanks after every use. Janitor closets with floor sinks are best suited for waste water disposal. Use a five gallon bucket if floor sink is unavailable.

1. Raise the scrub head to the transport position and transport the machine to draining site. Turn the key to the off position.
2. Remove the drain hose cap and slowly lower the hose over the drain site (Figure 20). Lift the hose to stop the flow. The recovery tank drain hose is located on the right side and the solution tank drain hose is located on the left side.

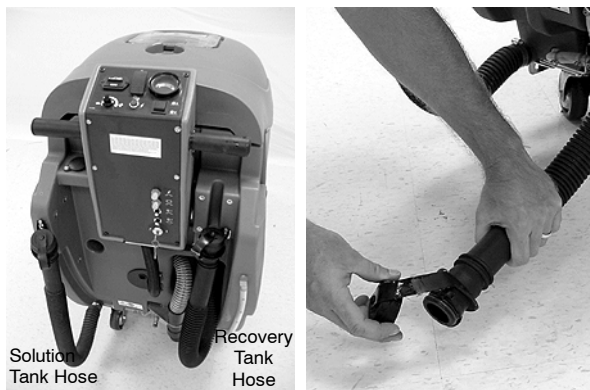


FIG. 20

NOTE: When using a bucket to drain the recovery tank, do not use the same bucket to fill the solution tank.

3. Rinse out the recovery tank and the float shut-off screen with clean water (Figure 21).

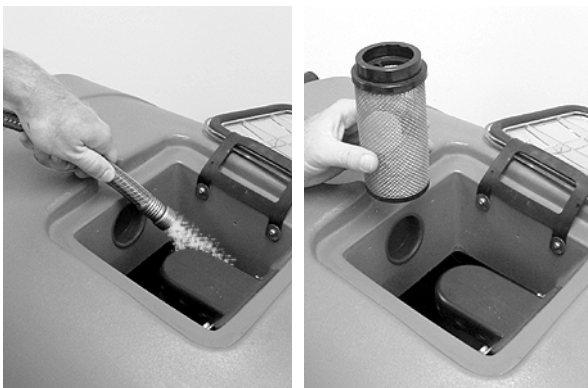


FIG. 21

4. Replace the drain hose caps securely after draining.

CHARGING BATTERIES

ATTENTION: To prolong the life of the batteries and to provide optimum machine performance, **ONLY** recharge the batteries after a total of 30 minutes of use or more. Do not leave batteries discharged for lengthy periods.

BATTERY METER: When the battery meter begins to flash, stop scrubbing and recharge batteries. When two lights begin to flash alternately, the scrub head will automatically raise to the transport position. This will protect the batteries from total discharge.

The following charging instructions are intended for battery chargers supplied with the machine. Only use a battery charger with the following specifications to prevent battery damage.

BATTERY CHARGER SPECIFICATIONS:

- OUTPUT VOLTAGE - 24 VOLTS
- OUTPUT CURRENT - 20 AMPS
- AUTOMATIC SHUTOFF CIRCUIT
- FOR DEEP CYCLE BATTERY CHARGING

1. Transport the machine to a well-ventilated area for charging.

⚠ WARNING: Fire Or Explosion Hazard. Batteries Emit Hydrogen Gas. Keep Sparks And Open Flame Away. Keep Battery Compartment Open When Charging.

2. Park the machine on a level surface and turn the key off.
3. Before charging the batteries, periodically check the electrolyte level in each battery cell (Figure 22).

The electrolyte level (A) should slightly cover the battery plates (B). Add distilled water as needed. **DO NOT OVERFILL**, the fluid may expand and overflow while charging. Replace cell caps before charging (Figure 22).

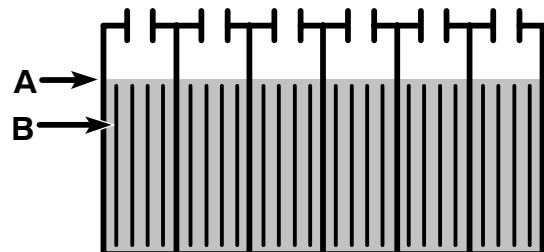


FIG. 22

FOR SAFETY: When servicing machine, wear protective gloves and eye protection when handling batteries and battery cables. Avoid contact with battery acid.

4. Connect the charger's AC power supply cord to a properly grounded receptacle.
5. Connect the charger's DC cord to the machine's battery receptacle located under the recovery tank (Figure 23). Rest the recovery tank on the support stand to promote ventilation during charging.

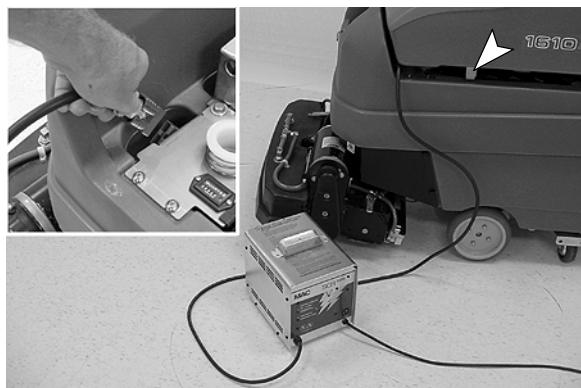


FIG. 23

6. The charger will automatically begin charging and shut off when fully charged.

NOTE: The machine will not operate once the battery charger is connected.

ATTENTION: Do not disconnect the charger's DC cord from the machine's receptacle when the charger is operating. Arcing may result. If the charger must be interrupted during charging, disconnect the AC power supply cord first.

⚠ WARNING: Fire Or Explosion Hazard. Batteries Emit Hydrogen Gas. Keep Sparks And Open Flame Away. Keep Battery Compartment Open When Charging.

7. After charging, check the electrolyte level (A) again. The level should be approximately 1 cm (3/8") from the bottom of the fill-port (B) (Figure 24). Add distilled water if needed. **DO NOT OVERFILL.**

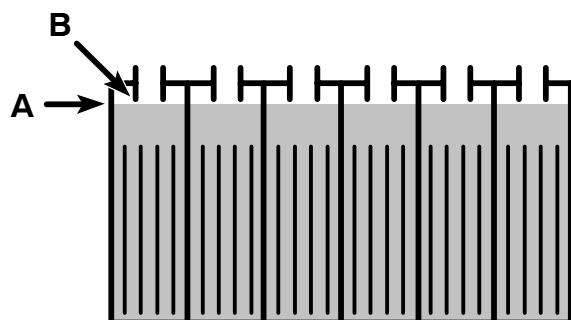


FIG. 24

MACHINE MAINTENANCE

To keep the machine in good working condition, simply follow the daily, weekly and monthly maintenance procedures.

FOR SAFETY: Before leaving or servicing machine, stop on level surface and turn off machine.

⚠ WARNING: Electrical Hazard. Disconnect Battery Cables Before Servicing Machine.

ATTENTION: Contact an Authorized Service Center for machine repairs. Machine repairs performed by other than an authorized person will void your warranty.

DAILY MAINTENANCE (After Every Use)

1. Drain and rinse out the recovery tank (Figure 25).



FIG. 25

2. Rinse off the float shut-off screen located in recovery tank (Figure 26).



FIG. 26

3. Drain and rinse out the solution tank.

OPERATION

- ReadySpace Cleaning: Remove the splash shroud and inspect the rollers for wear. If the gap between the two rollers is greater than 4mm (5/32") replace the rollers (Figure 27). Always replace rollers as a set.

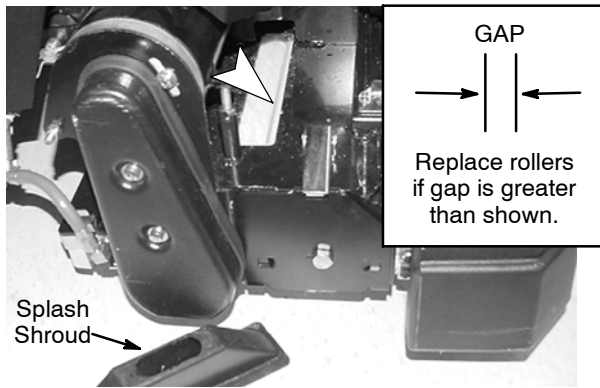


FIG. 27

- Clean the machine housing with an all purpose cleaner and damp cloth (Figure 28).

FOR SAFETY: When servicing machine, do not power spray or hose off machine. Electrical malfunction may occur.



FIG. 28

- Recharge the batteries (Figure 29). See CHARGING BATTERIES.

NOTE: To prolong the battery life, *ONLY* recharge the batteries after a total of 30 minutes of use or more.

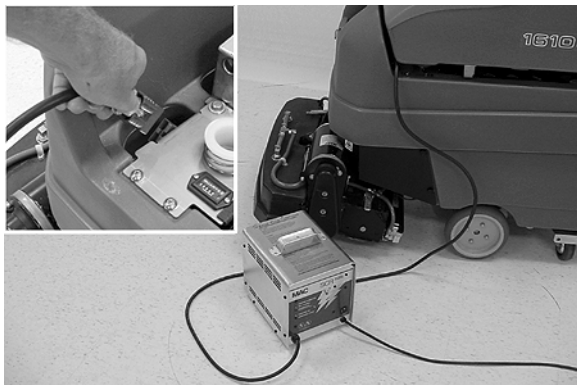


FIG. 29

WEEKLY MAINTENANCE (Every 10 Hours of Use)

- Flip the ReadySpace rollers end-for-end every 10 hours of use (Figure 30). The roller life is rated for at least 100 hours of use under normal cleaning conditions. If the gap between the two rollers is greater than 4mm (5/32") replace the rollers.

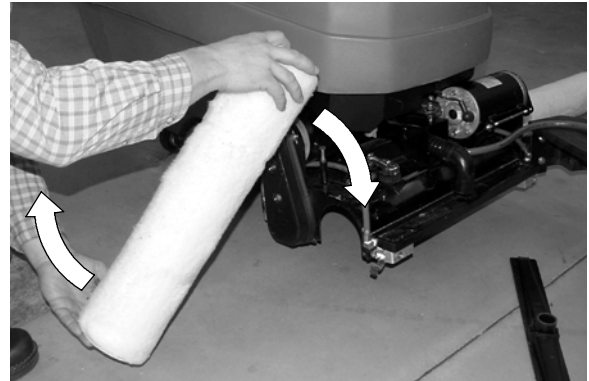


FIG. 30

- Remove any debris build-up from the underside of the scrub head (Figure 31).

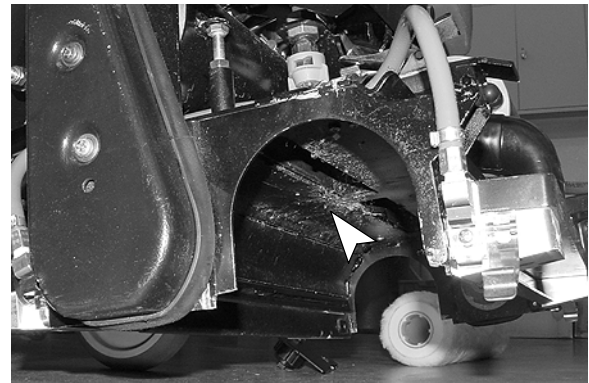


FIG. 31

- Remove the front and rear roller vacuum shoe covers and remove any debris (Figure 32).



FIG. 32

- Remove any entangled carpet fibers and debris from the brushes (Figure 33). Replace brushes if worn. To determine when to replace worn brushes observe the brush pressure meter.

If unable to adjust the pressure into the green zone this may be a good indication that the brushes should be replaced.



FIG. 33

5. Remove any debris lodged in the carpet extraction vacuum shoe (Figure 34).

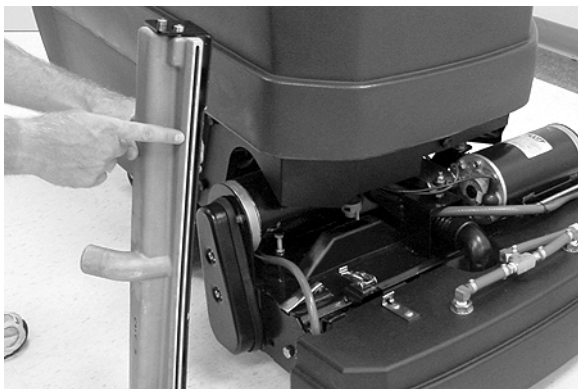


FIG. 34

6. Inspect the spray tips for proper spray pattern (Figure 35). If spray pattern is obstructed, clean or replace the spray tips (See MONTHLY MAINTENANCE).



FIG. 35

MONTHLY MAINTENANCE (Every 80 Hours of Use)

1. Remove the solution tank filter from underneath the machine and rinse out the screens. Make sure the solution tank is empty before removing filter (Figure 36).

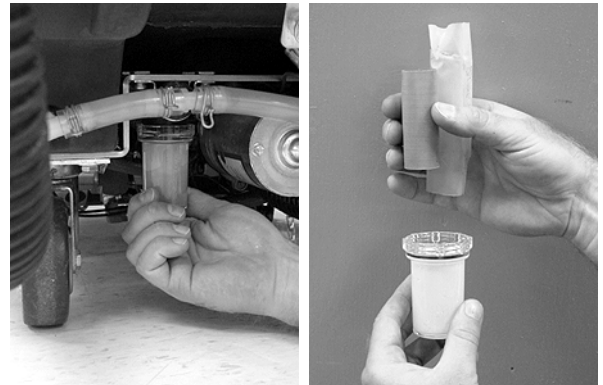


FIG. 36

2. Flush the plumbing system with an approved acetic acid solution to dissolve normal alkaline buildup. Follow procedure below:
 - a. Remove rollers/brushes from the machine.
 - b. Pour 11 liters (3 gal) of hot water into the solution tank, do not exceed 60°C (140°F).
 - c. Add the acetic acid solution according to the mixing directions on the bottle.

FOR SAFETY: When using machine, follow mixing and handling instructions on chemical containers.

- d. Place the machine in an area with a floor drain.
 - e. Block the wheels and turn the speed control knob to slowest setting.
 - f. Operate both cleaning technologies for one minute each over the floor drain.

NOTE: Rear vacuum shoe exchange is required to operate both ReadySpace and Restorative Extraction cleaning technologies.
 - g. Turn the key off and let the machine set overnight to allow the acetic acid solution to breakdown the alkaline buildup.
 - h. Next day, disperse the remaining acetic acid solution and rinse the solution system with 11 liters (3 gal) of clean water.
3. Remove the four quick-release spray tips from the scrub head (Figure 35). Turn spray tip caps counter-clockwise to remove. Soak the tips and screens in an acetic acid solution for up to six hours (Figure 37). Follow the mixing directions on the bottle. Do not use pointed objects to clean tips, damage will occur.

OPERATION

IMPORTANT: When replacing the spray tips, make sure to install the green spray tip assembly (tip #11002) above the ReadySpace rollers and the white spray tip assembly (tip #11005E) into the front bumper. *NOTE: The spray tip filter is not required for ReadySpace.*

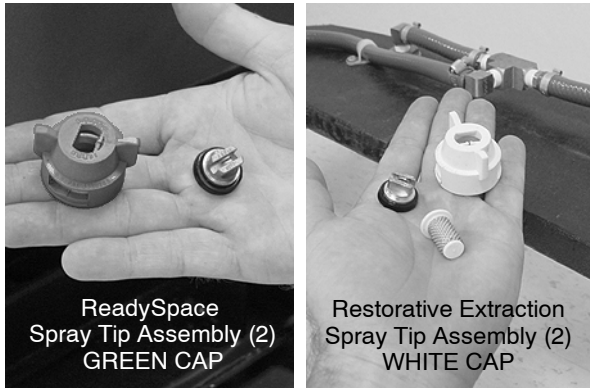


FIG. 37

Check the spray pattern direction after installing the spray tips. The ReadySpace spray tips should spray directly between the two rollers. The Restorative Extraction spray pattern should slightly overlap at a 3° angle (Figure 38).

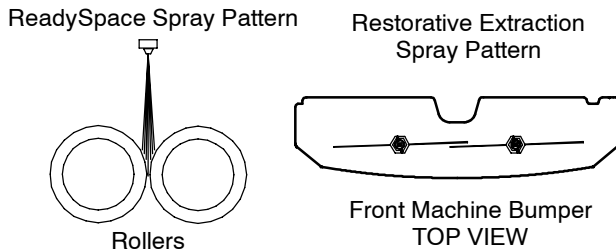


FIG. 38

4. Inspect the spray tip pattern in the two ReadySpace flush lines (4 spray tips). If tips are clogged, remove the flush lines and soak them in an acetic acid solution for up to six hours (Figure 39). Do not remove tips from flush lines.

NOTE: During ReadySpace operation the flush line spray tips will spray every 2½ minutes for 3 seconds.

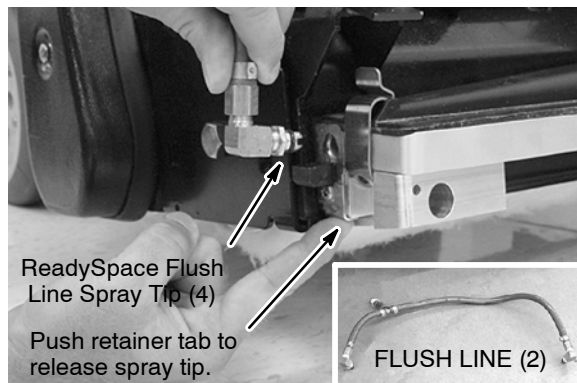


FIG. 39

5. Maintain the batteries (See BATTERY MAINTENANCE).
6. Lubricate the caster grease fittings with a water resistant grease (Figure 40).



FIG. 40

7. Lubricate all pivot points with silicone spray then coat with a water resistant grease to maintain smooth operation.
8. Check the machine for water leaks and loose nuts and bolts.
9. Periodically check the belt tension on the two brush motors. Tighten the belt if you're able to twist it beyond 90° at midpoint (Figure 41).

FOR SAFETY: When servicing machine, disconnect the battery connections.

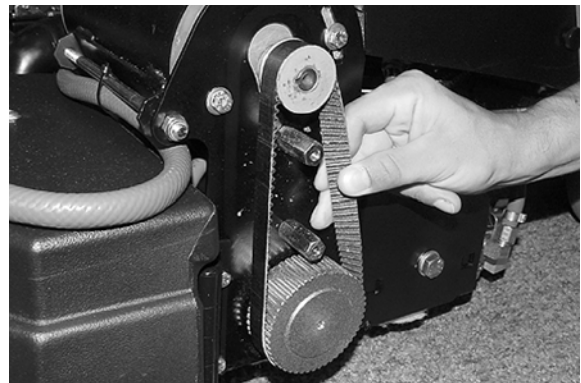


FIG. 41

MOTOR MAINTENANCE

Quarterly (Every 250 Hours) – Check the drive transaxle motor and vacuum motors for carbon brush wear. Replace carbon brushes when worn to a length of 10 mm (3/8”) or less.

Annually (Every 1000 Hours) – Check the brush motors for carbon brush wear. Replace carbon brushes when worn to a length of 10 mm (3/8”) or less.

Contact an Authorized Service Center for machine repairs.

FOR SAFETY: When servicing machine, all repairs must be performed by a qualified service person.

⚠ WARNING: Electrical Shock Hazard. Disconnect Battery Cables Before Servicing Machine.

BATTERY MAINTENANCE

⚠ WARNING: Fire Or Explosion Hazard. Batteries Emit Hydrogen Gas. Keep Sparks And Open Flame Away. Keep Battery Compartment Open When Charging.

FOR SAFETY: When servicing machine, wear protective gloves and eye protection when handling batteries and battery cables. Avoid contact with battery acid.

1. Check the specific gravity using a hydrometer to determine the charge level and the condition of the batteries (Figure 42). If one or more of the battery cells read lower than the other battery cells (0.050 or more), the cell is damaged, shorted, or is about to fail. Check the hydrometer readings against the following chart to determine the remaining battery charge level.

NOTE: Do not take readings immediately after adding distilled water. If the water and acid are not thoroughly mixed, the readings may not be accurate.



FIG. 42

SPECIFIC GRAVITY at 27° C (80° F)	BATTERY CHARGE
1.265	100% CHARGED
1.223	75% CHARGED
1.185	50% CHARGED
1.148	25% CHARGED
1.110	DISCHARGED

NOTE: If the readings are taken when the battery electrolyte is any temperature other than 27° C (80° F), the reading must be temperature corrected. Add or subtract to the specific gravity reading 0.004, 4 points, for each 6° C (43° F) above or below 27° C (80° F).

2. Always follow proper charging instructions (See CHARGING BATTERIES).
3. Check the electrolyte level (A) in each battery cell **after charging batteries**. The level should be approximately 1 cm (3/8”) from the bottom of the fill-port (B). Add distilled water if needed (Figure 43). **DO NOT OVERFILL.**

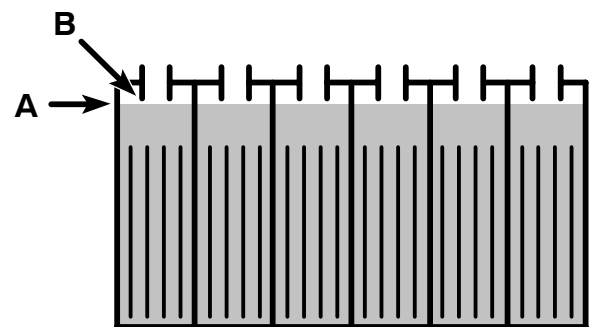


FIG. 43

4. Keep the battery tops clean to prevent battery corrosion.

OPERATION

To clean batteries:

FOR SAFETY: When servicing machine, wear protective gloves and eye protection when handling batteries and battery cables. Avoid contact with battery acid.

- a. Mix a strong solution of baking soda and water (Figure 44).



FIG. 44

- b. Brush the solution sparingly over the battery tops and cable connectors.

NOTE: Do not allow baking soda solution to enter battery cells.

- c. Use a wire brush to clean the battery terminals and cable connectors.
- d. After cleaning, apply a light coating of non-metallic grease or protective spray on the cable connections to prevent battery corrosion.

5. Check for loose or worn cables. Replace if worn.

PRIMING SOLUTION SYSTEM

The following instructions are for priming the restorative extraction solution system. The ReadySpace solution system has an automatic priming process.

Priming the restorative extraction solution system is only required if the solution tank runs dry or if center streaking occurs while cleaning.

To Prime the Solution System:

Priming Hose (p/n 700141) required. Must be purchased separately.

1. Connect the priming hose to the accessory tool solution hose coupler (Figure 45).
2. For machines equipped with a solution switch press the switch to the on position.
3. Turn the key on and rotate the control grips for approximately 10 seconds.

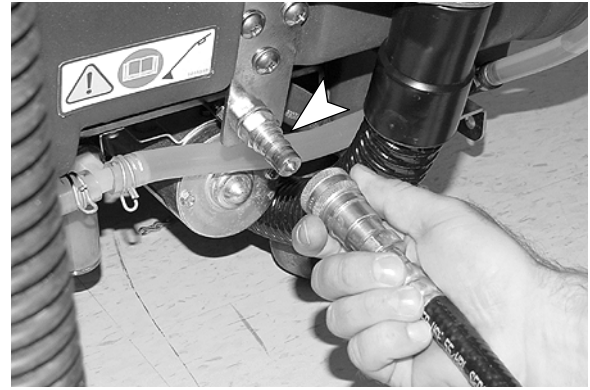


FIG. 45

MACHINE JACKING

Use the designated location under the solution tank for jacking up the machine. Use a piece of wood to distribute the machine weight load (Figure 46).

Position the machine on a flat level surface and block machine tires before jacking up the machine.



FIG. 46

FOR SAFETY: When servicing machine, jack machine up at designated locations only. Block machine up with jack stands.

TRANSPORTING MACHINE

When transporting the machine by use of trailer or truck, be certain to follow tie-down procedures below:

FOR SAFETY: When using machine, go slow on inclines and slippery surfaces.

1. Raise the scrub head to the transport position.
2. Load the machine using a recommended loading ramp.
3. Position the front of the machine up against the front of the trailer or truck. Once machine is positioned, lower the scrub head and turn key off.

4. Place a block behind each drive wheel to prevent machine from rolling.
5. Place tie-down straps over the top of the machine to prevent it from tipping. It may be necessary to install tie-down brackets to the floor of your trailer or truck.

NOTE: Do not use the control grips to secure machine when transporting.

FOR SAFETY: When transporting machine, use a recommended ramp when loading/unloading on/off truck or trailer, use tie-down straps to secure machine to truck or trailer.

NOTE: When transporting machine in freezing temperatures see *STORING MACHINE*.

STORING MACHINE


1. Charge batteries before storing. Never store machine with discharged batteries.
2. Drain and rinse tanks thoroughly.
3. Store the machine in a dry area with the scrub head in the raised position.
4. Remove the recovery tank lid to promote air circulation.

ATTENTION: If storing the machine in freezing temperatures, be certain to drain tanks, purge pump and remove the solution tank filter located under the machine at rear.

ATTENTION: Do not expose machine to rain, store indoors.

RECOMMENDED STOCK ITEMS

Refer to the Parts List section for recommended stock items. Stock Items are clearly identified with a bullet preceding the parts description. See example below:



Ref.	Part No.	Description	Qty.
1	701103	ASM.,STANDPIPE	1
2	180618	●FLOAT, SHUTOFF	1
3	230197	NIPPLE	1
4	101714	●GASKET	1
5	210240	NUT, FLANGED	1

OPERATION

TROUBLESHOOTING

PROBLEM	CAUSE	SOLUTION
No machine power.	Key turned off.	Turn key on.
	Tripped main power circuit breaker.	Reset breaker.
	Discharged batteries.	Recharge batteries.
	Loose or disconnected battery cable.	Secure battery cable connections.
	Expired battery life.	Replace batteries.
Brush motor(s) do not operate.	Control grips not rotated.	Rotate control grips forward.
	Tripped brush motor circuit breaker(s).	Determine cause and reset breaker.
	Solution switch is turned off.	Solution switch must be turned on to activate brush motors.
	Low voltage interrupter activated.	Recharge batteries.
	Loose or broken belt.	Contact Service Center.
	Faulty brush motor or wiring.	Contact Service Center.
	Worn carbon brushes in motor.	Contact Service Center.
Vacuum motor(s) do not operate.	Scrub head is raised off floor.	Lower scrub head.
	Low voltage interrupter activated.	Recharge batteries.
	Blown fuse.	Replace fuse. (#768688 - 30A Fuse)
	Faulty vacuum motor or wiring.	Contact Service Center.
	Worn carbon brushes in motor.	Contact Service Center.
Machine does not propel or propels incorrectly.	Solution switch is turned off.	Solution switch must be activated when ReadySpace cleaning.
	Tripped drive motor circuit breaker.	Determine cause and reset breaker.
	Faulty potentiometer or speed control board.	Contact Service Center.
	Faulty drive motor or wiring.	Contact Service Center.
	Worn carbon brushes in motor.	Contact Service Center.
Scrub head will not lower.	Wire #47 is not connected to batteries.	Connect wire #47 to battery as shown in battery cable connection label.
	Low voltage interrupter activated.	Recharge batteries.
No solution spray or solution spray is uneven.	Control grips not rotated.	Rotate control grips to activate spray.
	Solution switch is turned off.	Turn on solution switch.
	Scrub head not lowered.	Lower Scrub Head.
	Solution tank is empty.	Refill solution tank.
	Wrong rear vacuum shoe installed.	Install correct vacuum shoe.
	Clogged spray tips.	Clean spray tips.
	Plugged solution tank filter.	Clean solution tank filter.
	Clogged solution line.	Flush plumbing system.
Faulty pump or solenoid.	Contact Service Center.	

TROUBLESHOOTING - Continued

PROBLEM	CAUSE	SOLUTION
Streaking occurs.	Low solution spray pressure.	Prime solution system (See PRIMING SOLUTION SYSTEM)
	Clogged spray tips.	Clean spray tips.
	Spray tip pattern out of alignment.	Realign spray tips.
	Plugged solution tank filter.	Clean solution tank filter.
	Clogged solution line.	Flush plumbing system.
Scrub head continues to disperse water when using accessory tools.	Solution Switch turned on.	Press solution switch to accessory tool symbol (off position).
	Rear ReadySpace vacuum shoe is installed on scrub head. (<i>Machines before serial number 10243221</i>)	Extractor vacuum shoe must be installed to deactivate solution flow to scrub head.
Poor water pickup.	Full recovery tank.	Drain recovery tank.
	Worn ReadySpace rollers.	Replace rollers.
	Clogged vacuum shoes.	Clean vacuum shoes.
	Wrong rear vacuum shoe installed.	Install correct vacuum shoe.
	Clogged float shut-off screen inside recovery tank.	Clean screen.
	Loose recovery tank drain hose cap.	Tighten cap.
	Loose or disconnected vacuum hose.	Connect hose cuffs securely.
	Clogged vacuum hose.	Remove clogged debris.
	Defective vacuum hose.	Replace vacuum hose.
	Recovery tank lid is not in place.	Properly position lid.
	Worn tank lid gasket.	Replace gasket.
Excessive foam/cream appears on the floor during ReadySpace cleaning.	Cleaning detergents were added to solution tank.	Drain and rinse out solution tank and refill with water only, do not add cleaning detergents.
	Unapproved pre-treatment detergent used.	Use ReadySpace Pre-treatment Detergent.
Unable to adjust brush pressure meter in the green zone or meter shows no reading.	Worn extractor brushes.	Replace brushes.
	Tripped circuit breaker.	Reset brush circuit breaker button.
	Loose or broken front brush motor belt.	Contact Service Center.
Short run time.	Low battery charge.	Charge batteries.
	Defective batteries.	Replace batteries.
	Batteries need maintenance.	See BATTERY MAINTENANCE.
	Faulty charger.	Repair or replace battery charger.
Spray tip(s) drip when not in use. (See SOLUTION FLOW DIAGRAM for reference)	Clogged bypass check valve. (ReadySpace spray tips)	Clean or replace bypass check valve.
	Clogged spray tip filter. (Restorative Extraction spray tips)	Clean or replace spray tip filter.
	Clogged or faulty solenoid.	Clean or replace solenoid.

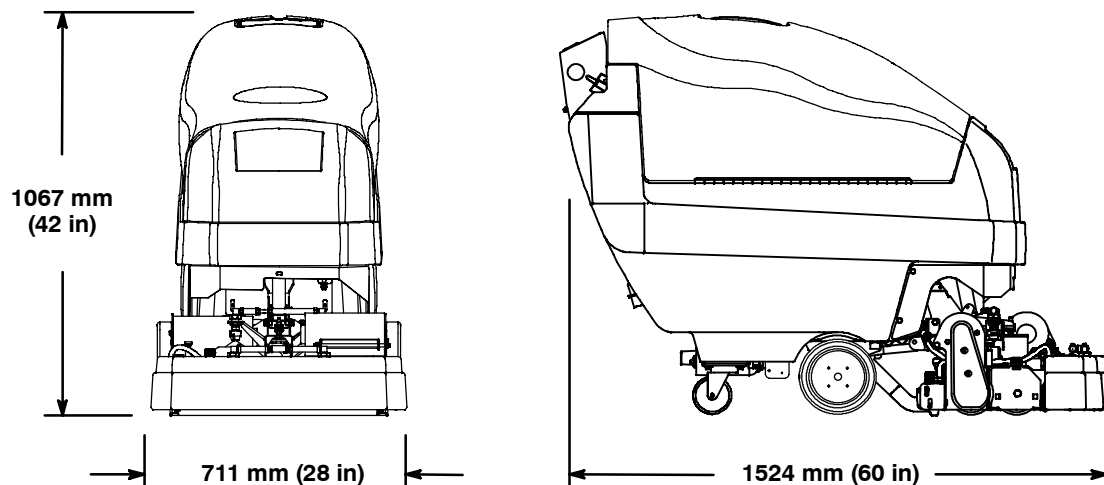
OPERATION

MACHINE SPECIFICATIONS

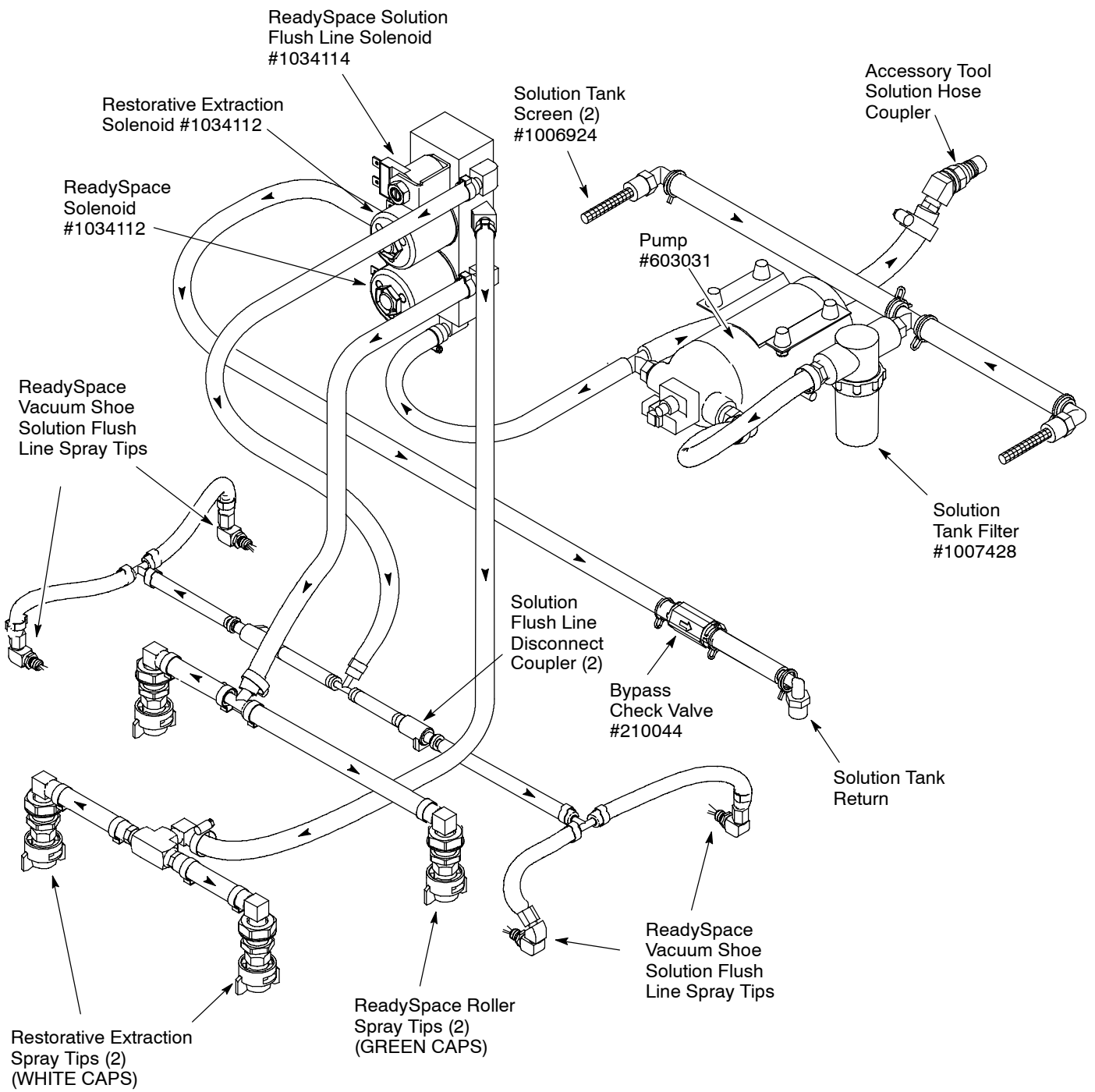
MODEL	Tennant 1610
LENGTH	1524 mm (60 in)
WIDTH	711 mm (28 in)
HEIGHT	1067 mm (42 in)
WEIGHT	268 Kg (590 lbs) / 154 Kg (340 lbs) less batteries
RECOVERY TANK CAPACITY	79 L (21 gallons)
SOLUTION TANK CAPACITY	79 L (21 gallons)
PRODUCTIVITY RATE (MAX)	ReadySpace Cleaning: 1200 m ² (13000 sq. ft.) per hour
	Restorative Extraction Cleaning: 1000 m ² (11000 sq. ft.) per hour
TRAVEL SPEED (MAX)	ReadySpace Cleaning: 36.5 m (120 ft.) per minute
	Restorative Extraction Cleaning: 30.5 m (100 ft.) per minute
	Transporting: 76 m (250 ft.) per minute
CLEANING PATH WIDTH	559 mm (22 in)
DRIVE SYSTEM	Transaxle, 24 V, 104 W
BRUSH MOTOR	Two 24V, 17A, .625 HP, 700 RPM
VACUUM MOTOR	Two 24 VDC, 21 A, 535W, 3-stage, 145 mm (5.7")
WATER LIFT/ AIR FLOW	3050 mm (120 in) / 1.84 m ³ (65 f ³) per minute
PUMP	24V, 4.5A, 6.9 bar (100 psi), 3.8 L (1 gal.) per minute
SOLUTION FLOW RATE	ReadySpace Cleaning: 1.3 L (0.33 gal.) per minute
	Restorative Extraction Cleaning: 3.8 L (1 gal.) per minute
BATTERIES	Four 6V Deep Cycle
BATTERY CAPACITY	235 hours at 20 hour rate
VOLTAGE DC	24 VDC
TOTAL POWER CONSUMPTION	65 Amp nominal
RUN TIME PER CHARGE	Up to 2.5 hours
DECIBEL RATING AT OPERATOR'S EAR, INDOORS.	72 dB(A)
MAXIMUM RATED CLIMB	19% (11°) Transporting / 5% (3°) Cleaning

Specifications are subject to change without notice.

MACHINE DIMENSIONS

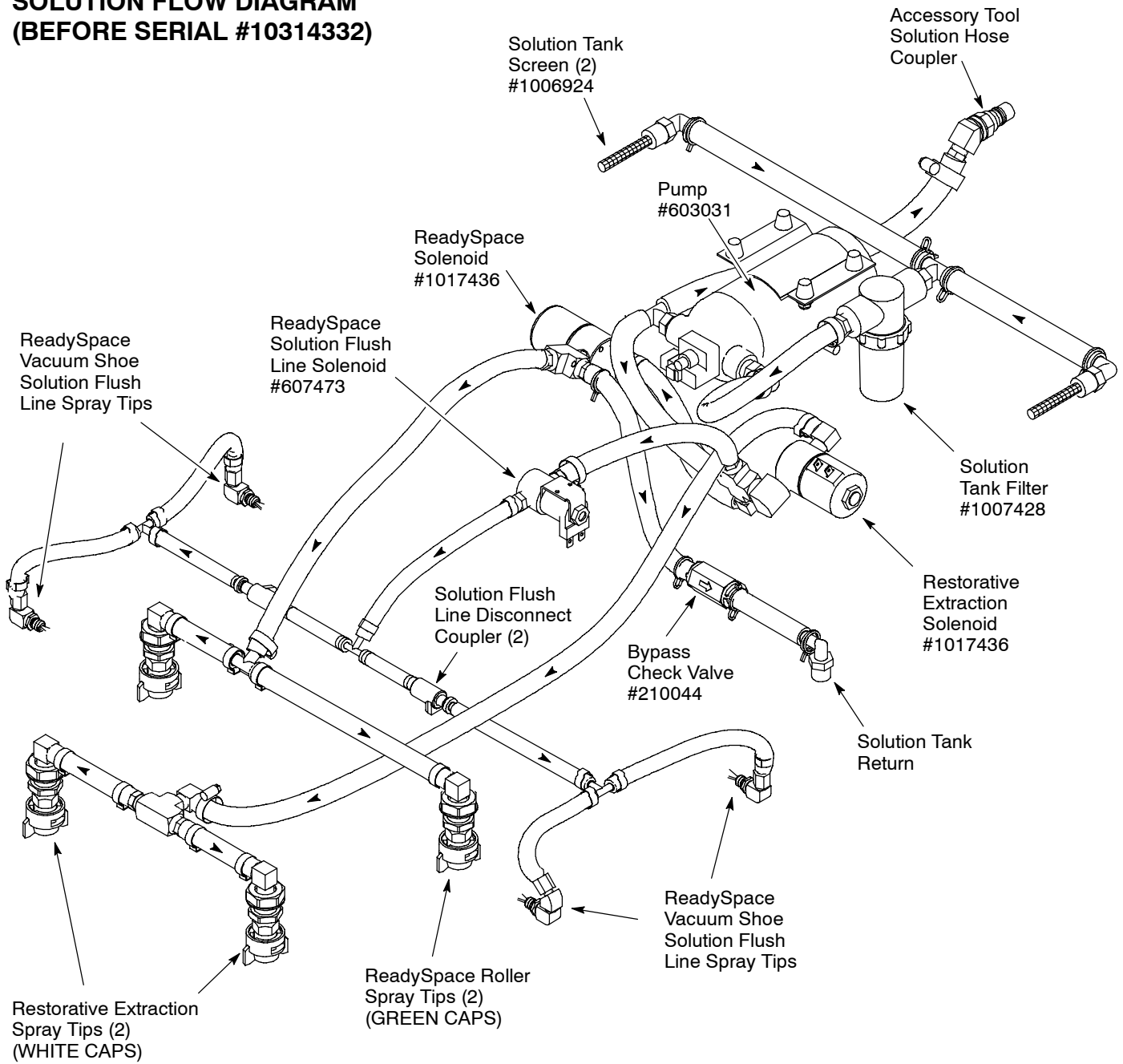


**SOLUTION FLOW DIAGRAM
(AFTER SERIAL #10314332)**



OPERATION

SOLUTION FLOW DIAGRAM (BEFORE SERIAL #10314332)



Este manual se incluye en todos los modelos nuevos. Proporciona la información necesaria para su utilización y mantenimiento.

Lea todo el manual detenidamente para comprender la máquina antes de utilizarla o revisarla.

También se incluye un Manual de repuestos ilustrado en todos los modelos nuevos. Utilice el Manual de repuestos para pedir las piezas de recambio. Para que la entrega sea rápida, siga las instrucciones sobre "CÓMO SOLICITAR PIEZAS" impresas en el Manual de repuestos.

Esta máquina le proporcionará excelentes resultados. Sin embargo, los resultados serán óptimos a un coste mínimo si:

- Utiliza la máquina con un cuidado razonable.
- Realiza las operaciones de mantenimiento de acuerdo con las instrucciones adjuntas.
- Las operaciones de mantenimiento de la máquina se realizan con piezas suministradas por el fabricante o equivalentes.

DATOS DE LA MÁQUINA

Cumplimente los siguientes datos en el momento de instalación de la máquina para utilizarlos como referencia en el futuro.

Número de modelo: _____

Fecha de instalación: _____

Número de serie: _____



PROTECCIÓN DEL MEDIO AMBIENTE

Deseche el material de embalaje, los componentes usados de la máquina como las baterías y los líquidos peligrosos como el anticongelante y el aceite, de forma segura para el medio ambiente, de acuerdo con las normativas o disposiciones locales.



No olvide reciclar.

ÍNDICE

PRECAUCIONES DE SEGURIDAD	31	TANQUES DE DRENAJE	45
ETIQUETAS DE SEGURIDAD	33	CAMBIO DE BATERIAS	45
COMPONENTES DE LA MÁQUINA	34	MANTENIMIENTO DE LA MÁQUINA	46
SIMBOLOS DE LA CONSOLA DE CONTROL .	35	MANTENIMIENTO DIARIO	47
INSTALACION DE LA MÁQUINA	36	MANTENIMIENTO SEMANAL	48
DESEMPAQUE DE LA MÁQUINA	36	MANTENIMIENTO MENSUAL	49
INSTALACION DE BATERIAS	36	MANTENIMIENTO DEL MOTOR	50
TECNOLOGIA DE LIMPIEZA DUAL	37	MANTENIMIENTO DE LA BATERIA	51
COMO FUNCIONA LA TECNOLOGIA DUAL	37	CEBADO DEL SISTEMA DE DISOLUCIÓN .	52
PREPARACION DE LA MÁQUINA	38	ELEVACION DE LA MÁQUINA	52
PREPARACION DE LA MÁQUINA PARA		TRANSPORTE DE LA MÁQUINA	53
LIMPIEZA CON READYSpace	38	ALMACENAMIENTO DE LA MÁQUINA	53
PREPARACION DE LA MÁQUINA PARA		ARTICULOS RECOMENDADOS PARA MANTENER	
EXTRACCION-LIMPIEZA RESTAURATIVA	39	EN STOCK	53
LLENADO DEL TANQUE DE SOLUCION ...	40	LOCALIZACION DE FALLAS	54
AJUSTE DE LA ALTURA DE LA CONSOLA		ESPECIFICACIONES DE LA MÁQUINA	57
DE CONTROL	40	DIMENSIONES DE LA MÁQUINA	57
OPERACION DE LA MÁQUINA	40	DIAGRAMA DE FLUJO DE SOLUCION	
PREOPERACION	40	(DESPUÉS DEL NÚMERO DE SERIE 10314332)	58
OPERACION DE LA MÁQUINA	41	DIAGRAMA DE FLUJO DE SOLUCION	
AL OPERAR LA MÁQUINA	42	(ANTES DEL NÚMERO DE SERIE 10314332) .	59
LIMPIEZA DE LA CAJA DE ACCESORIOS .	43		
INTERRUPTORES DE CIRCUITO DE LA			
MÁQUINA	44		
MEDIDOR HORARIO	44		

PRECAUCIONES DE SEGURIDAD

Esta máquina está diseñada para el uso comercial. Está diseñada exclusivamente para limpiar alfombras y tapicería en un ambiente interior y no está fabricada para ningún otro uso. Use accesorios y herramientas recomendados y limpiadores de alfombras disponibles en el comercio para aplicación de máquina, solamente.

Todos los operadores deben leer, entender y practicar las precauciones siguientes de seguridad.

El símbolo siguiente de alerta de advertencia y el encabezamiento de "FOR SAFETY" ("PARA SEGURIDAD") se usan en este manual como se indicó en su descripción:

⚠ ADVERTENCIA: Para advertir de riesgos o prácticas inseguras que podrían resultar en lesiones personales graves o la muerte.

PARA SEGURIDAD: Para identificar acciones que deben seguirse para el funcionamiento seguro del equipo.

La falla en seguir estas advertencias puede resultar en: lesiones personales, electrocución, choque eléctrico, fuego o explosión.

⚠ ADVERTENCIA: Riesgo de incendio o explosión:

- No use líquidos inflamables ni opere la máquina en o cerca de materiales inflamable líquidos, vapores, polvos combustibles, inflamables.
- Esta máquina no está equipada con motores a prueba de explosión. Los motores eléctricos producen chispas al arrancar y durante el funcionamiento lo que puede causar in incendio explosivo o explosión si la máquina se usa en un área donde están presentes vapores/líquidos inflamables o polvos combustibles.*
- No aspire materiales inflamables o metales reactivos.
 - Las baterías emiten gas hidrógeno. Mantenga alejada de chispas y llamas expuestas. Mantenga el el compartimiento de la batería abierto al cargar.

⚠ ADVERTENCIA: Riesgo eléctrico. Desconecte los cables de la batería antes de prestar servicio a la máquina.

⚠ ADVERTENCIA: Riesgo de punto de presión. Mantenerse alejado del área de elevación del cabezal de limpieza.

La información siguiente señala condiciones potencialmente peligrosas para el operador o el equipo

PARA SEGURIDAD:

1. No opere la máquina:
 - con líquidos inflamables o cerca de vapores inflamables ya que puede ocurrir una explosión o incendio explosivo
 - A menos que esté capacitado y autorizado.
 - A menos que el manual del operador se lea y se entienda.
 - Si no está en una condición operativa apropiada.
2. Antes de operar la máquina:
 - Asegúrese que todos los dispositivos de seguridad están en su lugar y operan propiamente.
 - Coloque señales de piso húmedo según se necesite.
3. Al usar máquina:
 - Proceda con lentitud en las cuestas y las superficies resbaladizas.
 - Reduzca la velocidad al doblar.
 - Informe inmediatamente acerca de daños u operación defectuosa.
 - Nunca permita que los niños jueguen en o alrededor de la máquina.
 - Observe las instrucciones de mezcla y manejo en los recipientes de sustancias químicas.
4. Antes de salir de o reparar la máquina:
 - deténgase en una superficie nivelada.
 - Apague la máquina.
 - Extraiga la llave

OPERACIÓN

5. Al prestar servicio a la máquina:

- Evite las piezas móviles. No use chaquetas, camisas, o mangas, holgadas.
- Desconecte las conexiones de la batería antes de trabajar en máquina.
- Bloquee las ruedas de la máquina antes de alzar.
- Alce la máquina en ubicaciones designadas solamente. Mantenga la máquina en posición elevada con los soportes del gato.
- Use gúinches o gatos para soportar el peso de la máquina.
- No use rociado a presión ni limpie con manguera, la máquina. Puede ocurrir un desperfecto eléctrico.
- Use guantes protectores y protección para la vista al manejar baterías o cables de batería.
- Evite el contacto con el ácido de la batería.
- Use las piezas de repuesto proporcionadas o aprobadas por el fabricante.
- Todas las reparaciones deben ser realizadas por una persona de servicio calificada.
- No modifique la máquina de su diseño original.





6. Al transportar la máquina:

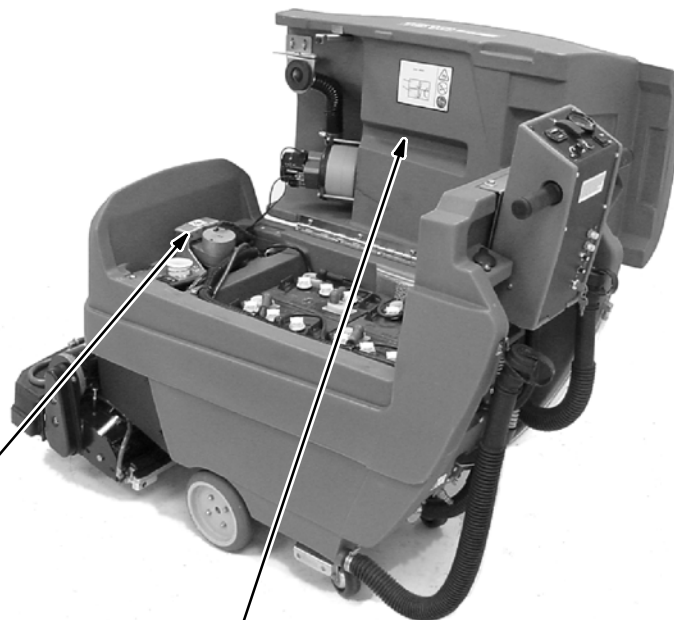
- Apague la máquina.
- Use una rampa recomendada al cargar/descargar en/de de un camión o remolque.
- Bajar el cabezal de limpieza.
- Coloque bloques detrás de las ruedas y use correas de amarre para asegurar la máquina.

ETIQUETAS DE SEGURIDAD

Las etiquetas de seguridad están en la máquina en las ubicaciones indicadas. Reemplace las etiquetas si se dañan o son ilegibles.

ETIQUETA DE ADVERTENCIA – Ubicada en la tapa del tanque de recuperación.

	⚠ WARNING	⚠ AVERTISSEMENT	⚠ ADVERTENCIA
	EXPLOSION, FIRE AND SHOCK HAZARD. AVOID INJURY.	RISQUE D'EXPLOSION, D'INCENDIE ET DE DÉCHARGE. ÉVITEZ LES BLESSURES.	PELIGRO DE EXPLOSIÓN, FUEGO, DESCARGA EVITE LESIONES.
	<ul style="list-style-type: none"> • Do Not Use or Pick Up Flammable Materials. • Do Not Use Near Flammable Liquids, Vapors or Combustible Dusts. 	<ul style="list-style-type: none"> • N'utilisez Pas ou Ne Ramassez Pas de Matériaux Inflammables. • N'utilisez Pas Près de Liquides, Vapeurs ou Poussières Inflammables. 	<ul style="list-style-type: none"> • No Use Ó Recoja Materiales Flammables. • No Use Cerca De Líquidos Flammables, Vapores Ó Materiales Combustibles.
	<ul style="list-style-type: none"> • Keep Sparks and Open Flame Away When Charging Batteries. Keep Battery Hood Open When Charging. • Disconnect Battery Cables and Charger Cord Before Servicing. 	<ul style="list-style-type: none"> • Éloignez les Sources d'Étincelles ou de Flamme Ouverte Lors du Chargement des Batteries. Laissez Ouvert le Capot du Compartiment des Batteries Lors de la Mise en Charge. • Débranchez les Câbles de Batterie et la Cordon du Chargeur Avant l'Entretien. 	<ul style="list-style-type: none"> • Mantenga Chispas Y Fuego Alejados Mientras Carga Baterías. Mantenga Tapa De Batería Abierta Mientras Carga. • Desconecte Cable De Batería Y Cable Del Cargador Antes Del Mantenimiento.
			
			1026386



ETIQUETA DE RIESGO DE PUNTO DE PRESION – Ubicada en la cubierta del cabezal de limpieza y cerca del impulsor de elevación del cabezal de limpieza.

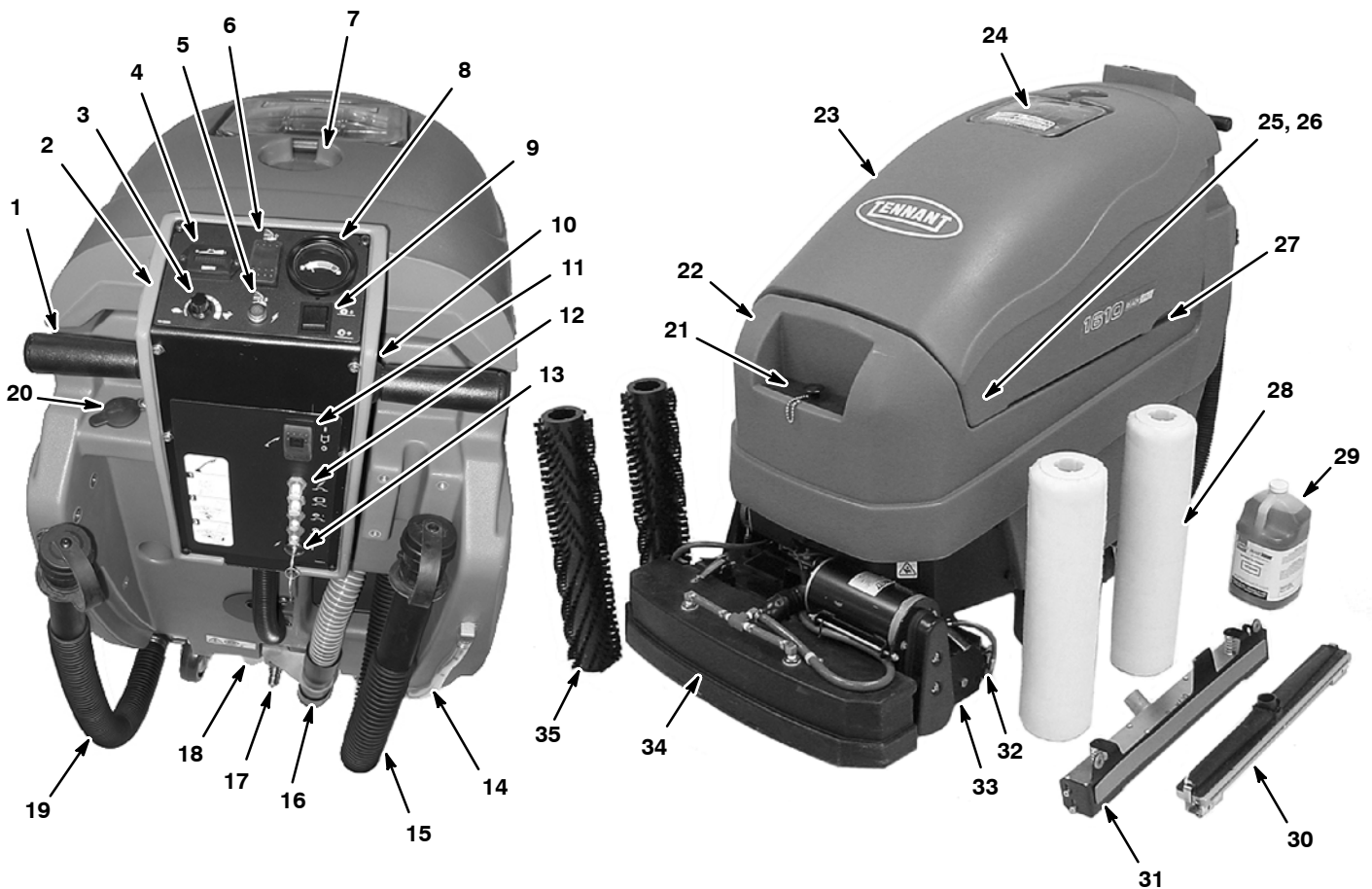
⚠ ADVERTENCIA: Riesgo de punto de presión. Mantenerse alejado del área de elevación del cabezal de limpieza.



ETIQUETA DE CARGA DE LA BATERIA – Ubicada en el lado del fondo del tanque de recuperación.

⚠ ADVERTENCIA: Riesgo de incendio o explosión. Las baterías emiten gas hidrógeno. Mantener alejada de chispas y llamas expuestas. Al cargar mantener abierta la cubierta de la batería.
















COMPONENTES DE LA MÁQUINA



1. Empuñaduras de control
2. Consola de control
3. Perilla de control de velocidad
4. Medidor de batería
5. Luz indicadora de la energía principal
6. Conmutador de elevación/descenso del cabezal de limpieza
7. Sujetador de botella
8. Medidor de presión del cepillo
9. Conmutador de presión del cepillo
10. Palanca de ajuste de altura de la consola
11. Interruptor de encendido de la solución
12. Panel del interruptor de circuito
13. Conmutador de energía principal
14. Indicador de mirilla del tanque de solución
15. Manguera de drenaje del tanque de recuperación
16. Gancho para la herramienta accesoria de la manguera de vacío
17. Gancho para la herramienta accesoria de la manguera de solución
18. Filtro del tanque de solución

19. Manguera de drenaje del tanque de recuperación
20. Orificio posterior de llenado del tanque de solución
21. Orificio delantero de llenado del tanque de solución
22. Tanque de solución
23. Tanque de recuperación
24. Tapa del tanque de recuperación
25. Receptáculo de carga de la batería
26. Medidor horario
27. Compartimiento de la batería
28. Rodillos ReadySpace
29. Pretratamiento con detergente ReadySpace
30. Zapata de aspiración ReadySpace (2 provistas)
31. Zapata de extracción y aspiración
32. Tubería de lavado ReadySpace (2)
33. Cabezal de limpieza
34. Amortiguador de la boquilla de rociado
35. Cepillos del extractor

SIMBOLOS DE LA CONSOLA DE CONTROL

	Luz indicadora de la energía principal		Posición de elevación/ transporte del cabezal de limpieza		Interruptor de circuitos de 10A de la energía principal
	Medidor de la batería		Posición de descenso/ limpieza del cabezal de limpieza		Interruptor de circuitos de 17A del motor del cepillo
	Velocidad lenta		Presión del cepillo		Interruptor de circuitos de 17A del motor del cepillo
					
			Flujo de la solución		
	Velocidad rápida		Vara para usar fuera de los pasillos (Herramienta accesoria)		Interruptor de circuitos de 20A del motor propulsor

INSTALACION DE LA MÁQUINA

DESEMPAQUE DE LA MÁQUINA

1. Inspeccione cuidadosamente la caja por señales de daños. Informe inmediatamente al transportista en caso de daños.

2. Verifique la lista de contenido de la caja. Consulte con el distribuidor por artículos faltantes.

Contenido:

- Máquina
- 2 Cepillos extractores
- 2 Rodillos ReadySpace
- 1 Zapata de extracción y aspiración
- 2 zapatas de aspiración ReadySpace (instaladas)
- 2 tuberías de limpieza del cabezal de limpieza (instaladas)
- Tubo de aspiración del cabezal de limpieza (Instalado)
- Detergente de pretratamiento ReadySpace (1 gal.)
- Cargador de batería de 24CC/120CA 20A (Opción)
- 4 baterías de 6VCC, 235AH (Opción - Instaladas)
- Bandeja de batería (instalada)
- 3 cables de batería de 381mm (15 pul.)
- 8 Cubiertas de los bornes de la batería
- 8 Cubiertas de goma de los cables de la batería
- Herramienta hexagonal de 6mm
- Disco compacto con la capacitación para el operario (#1019259)

3. Para desembalar la máquina, retire los soportes traseros y delanteros de transporte que aseguran la máquina a la tarima. Use la rampa adjunta y haga retroceder lentamente la máquina fuera de la tarima. Asegúrese que el cabezal de limpieza del cepillo está en la posición elevada.

ATENCIÓN: Use la rampa provista al desembalar la máquina, para evitar daños a la máquina.

INSTALACION DE BATERIAS

⚠️ ADVERTENCIA: Riesgo de incendio o explosión. Las baterías emiten gas hidrógeno. Mantenga alejadas de las chispas y de las llamas expuestas. Al cargar mantenga abierta la cubierta de la batería.

PARA SEGURIDAD: Al prestar servicio a la máquina use guantes protectores y protección para la vista al manejar las baterías y los cables de las baterías. Evite el contacto con el ácido de la batería.

Especificaciones recomendadas de la batería:

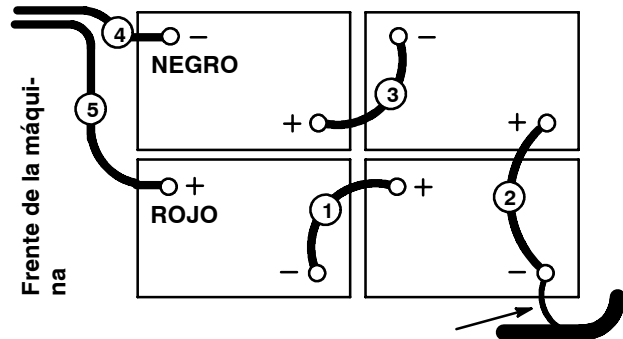
Cuatro baterías de ciclo profundo de 6 voltios, 235 AH. Las dimensiones máximas de la batería son 181 mm (7.13 pul.) ANCHO x 260 mm (10.25 pul.) LARGO x 292 mm (11.50 pul.) ALTO.

1. Estacione la máquina sobre una superficie nivelada y extraiga la llave de la máquina.
2. Levante el tanque de recuperación para tener acceso al compartimento de la batería (Figura 1). Extraiga los cables sueltos de la batería, del compartimento.



FIG. 1

3. Instale cuidadosamente las baterías dentro de la bandeja del compartimento de la batería y disponga los bornes de la batería según se indica (Figura 2).



Conecte el cable N° 47 proveniente de los cables preformados de la máquina

FIG. 2

4. Antes de conectar los cables de la batería, asegúrese que los terminales y bornes estén limpios. Use un limpiador de bornes y un cepillo de alambre si es necesario.

NOTA: Aplique una capa fina de grasa no metálica o rociador protector en las conexiones del cable para prevenir la corrosión de la batería

- Conecte los cables a los bornes de la batería en orden numérico según rotulado (Figura 2), ROJO A POSITIVO y NEGRO A NEGATIVO Use las cubiertas de borne de batería y las cubiertas de goma provistas.
- Después de instalar la batería inspeccione el nivel de carga del medidor de batería. La máquina debe estar en pleno funcionamiento para una lectura exacta (Vea OPERACION DE LA MÁQUINA). Cargue las baterías si se requiere.

TECNOLOGIA DE LIMPIEZA DUAL

La máquina ofrece dos tecnologías de limpieza, Extracción Restaurativa y Extracción por Transferencia de Suciedad a la que se refiere como ReadySpace. Usando ambas tecnologías, usted puede fácilmente desarrollar un programa de limpieza para prolongar mucho la vida útil de su alfombra. Con el simple cambio de una zapata de aspiración y dos rodillos o cepillos usted puede fácilmente pasar de una tecnología a la otra.

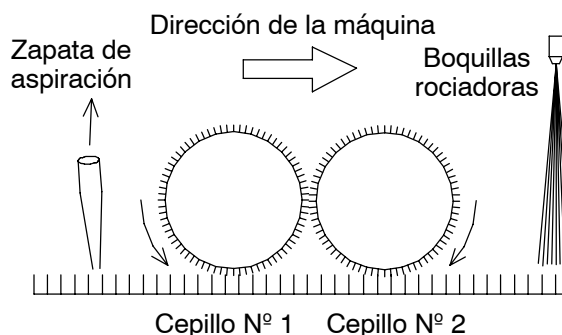
Extracción restaurativa: Use periódicamente esta tecnología para limpiar bien la base de la alfombra. La cantidad y tipo de tráfico diario son factores importantes para determinar con cuanta frecuencia debe efectuarse la extracción restaurativa. Este tipo de limpieza debe planearse por adelantado para dar tiempo a la alfombra de secarse.

ReadySpace: Use esta tecnología para limpiar suciedad visible diariamente o según se necesite para mantener un nivel elevado de limpieza de la alfombra. ReadySpace puede usarse durante durante las horas normales de trabajo porque a menudo la alfombra se seca en menos de treinta minutos. El tiempo de secado puede variar debido al tipo de alfombra y las condiciones del clima.

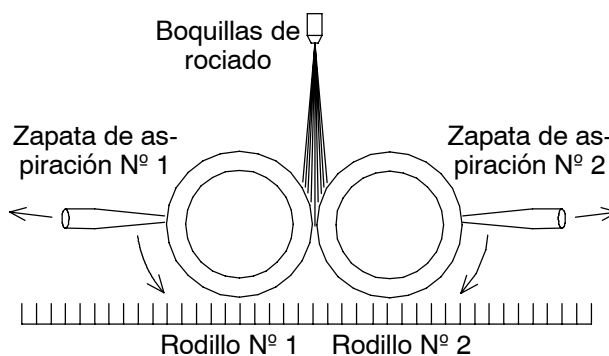
NOTA: Antes de usar ReadySpace, use primero la extracción restaurativa si las alfombras están muy sucias. A continuación comience su programa de limpieza ReadySpace.

COMO FUNCIONA LA TECNOLOGIA DUAL

Extracción Restaurativa: Se rocía agua caliente y detergente limpiador, del tanque de solución, directamente sobre la alfombra. A medida que la máquina avanza, dos cepillos chevrón que giran en sentido contrario a las agujas del reloj, agitan la solución profundamente dentro de la alfombra. A medida que máquina continúa avanzando la zapata de aspiración recupera la solución sucia de la alfombra.



ReadySpace: El detergente limpiador debe prerrociarse sobre la alfombra usando un rociador a bomba. Después de permitir que el detergente permanezca durante 5-10 minutos se hace funcionar la máquina. Se rocía directamente agua caliente sobre dos rodillos de fibra de nylon que giran en sentido contrario a las agujas del reloj, y no sobre la alfombra. A continuación una gran cantidad de agua se elimina de los rodillos usando dos zapatas de aspiración, dejando los rodillos húmedos. A continuación los rodillos húmedos agitan la alfombra, trabajando sobre ambos lados de la fibra de la alfombra y transfiriendo al mismo tiempo la suciedad a los rodillos. Nuevamente se rocía agua caliente de enjuague sobre los rodillos sucios permitiendo que las dos zapatas de aspiración extraigan fácilmente la suciedad de los rodillos.



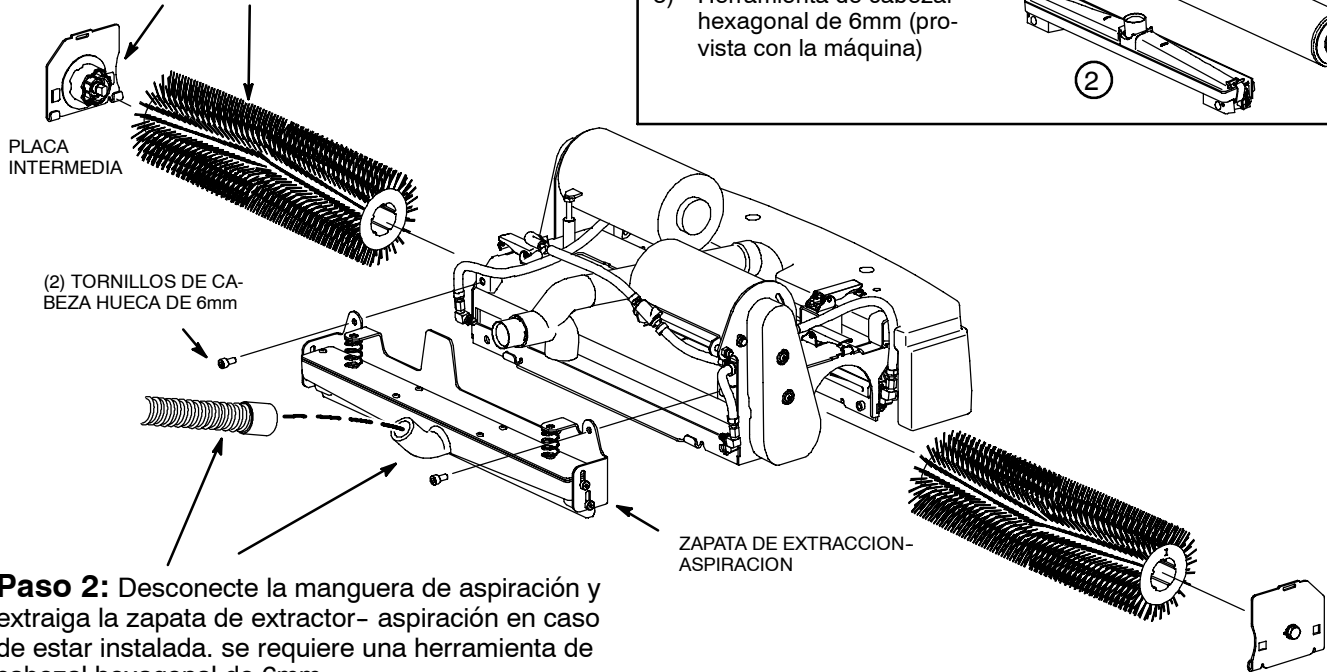
OPERACIÓN

PREPARACION DE LA MÁQUINA

PREPARACION DE LA MÁQUINA PARA LIMPIEZA CON READYSpace

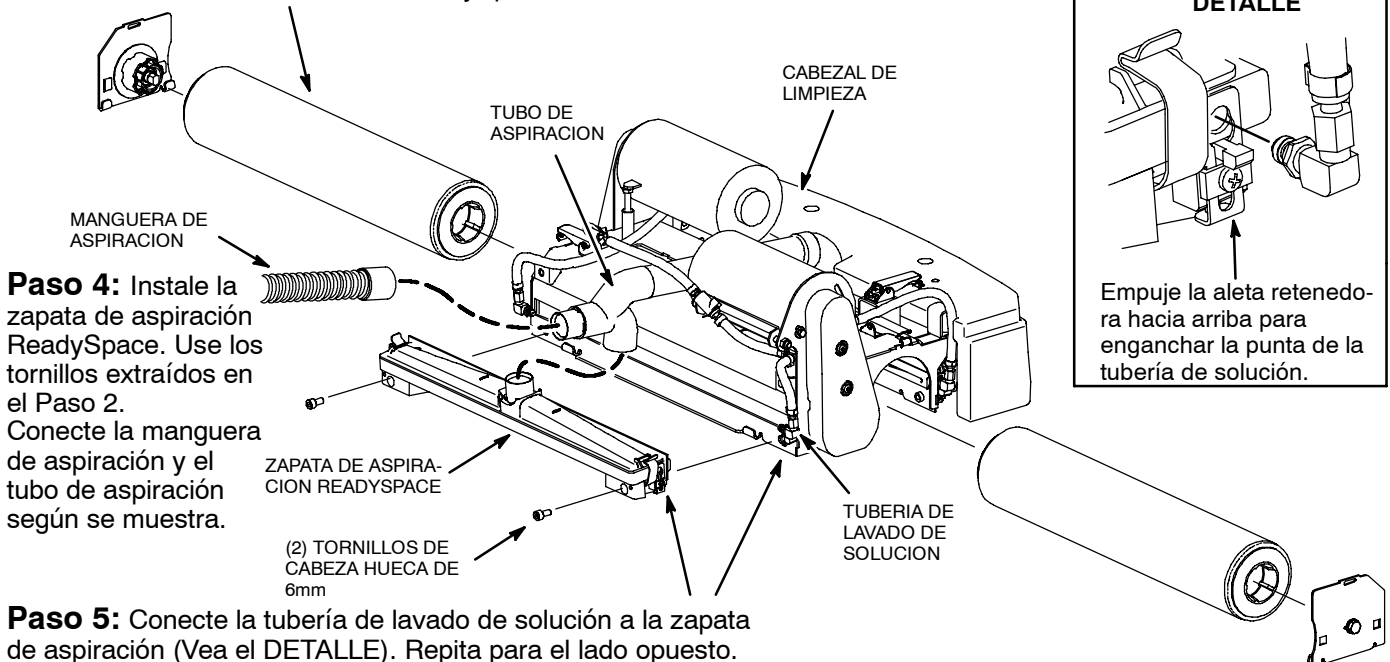
PARA SEGURIDAD: Antes de preparar la máquina, apague la máquina y extraiga la llave.

Paso 1: Destrabe las placas intermedias y extraiga los dos cepillos extractores si están instalados.



Paso 2: Desconecte la manguera de aspiración y extraiga la zapata de extractor- aspiración en caso de estar instalada. se requiere una herramienta de cabezal hexagonal de 6mm.

Paso 3: Instale los dos rodillos ReadySpace.



Paso 5: Conecte la tubería de lavado de solución a la zapata de aspiración (Vea el DETALLE). Repita para el lado opuesto.

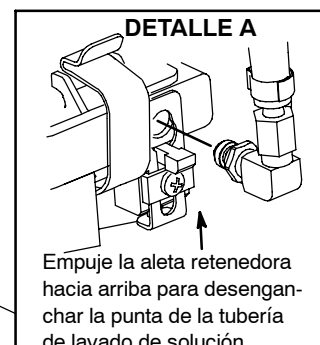
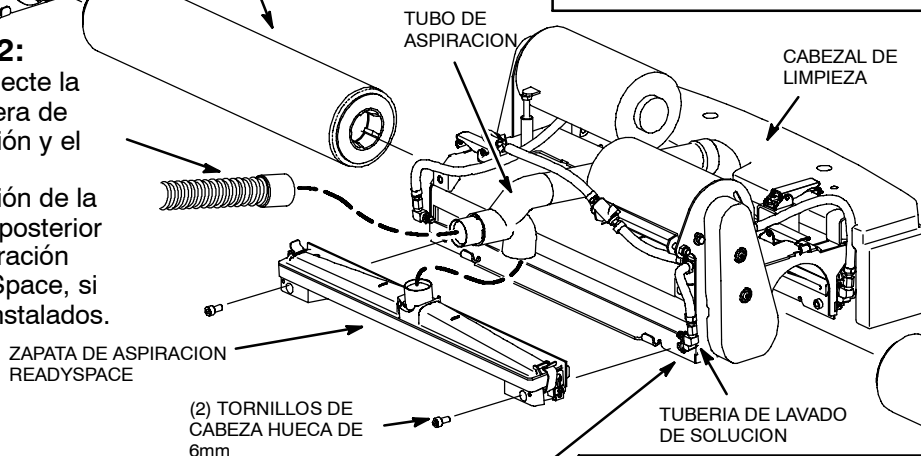
PREPARACION DE LA MÁQUINA PARA EXTRACCION-LIMPIEZA RESTAURATIVA

PARA SEGURIDAD: Antes de preparar la máquina, apague la máquina y extraiga la llave.

Paso 1: Destrabe las placas intermedias y extraiga los dos rodillos ReadySpace en caso de estar instalados.



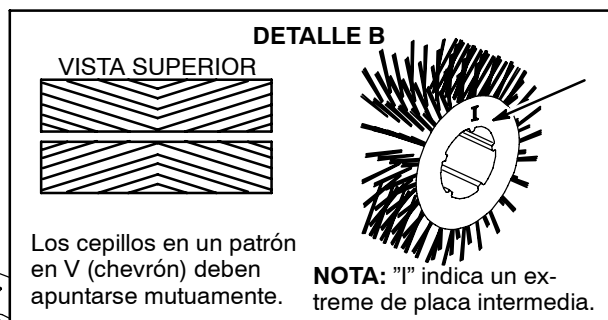
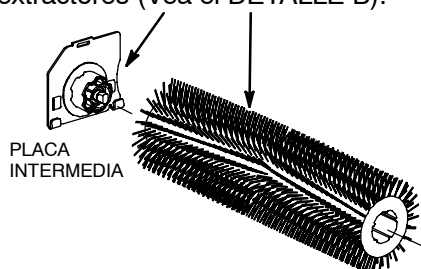
Paso 2: Desconecte la manguera de aspiración y el tubo de aspiración de la zapata posterior de aspiración ReadySpace, si están instalados.



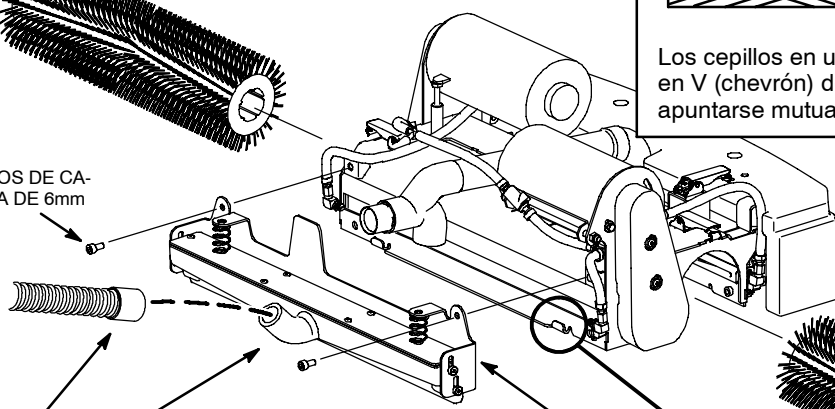
Paso 3: Desconecte las tuberías de lavado de solución de la zapata posterior de aspiración (Vea DETALLE A).

Paso 4: Extraiga la zapata de aspiración ReadySpace. Se requiere una herramienta de cabezal hexagonal de 6 mm.

Paso 5: Instale los dos cepillos extractores (Vea el DETALLE B).



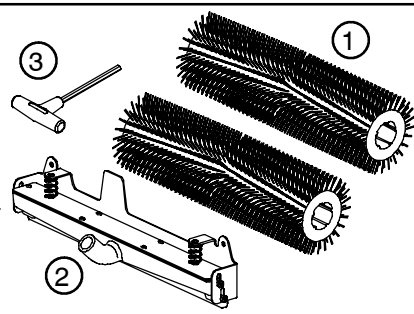
(2) TORNILLOS DE CABEZA HUECA DE 6mm



Paso 6: Instale la Zapata de aspiración del extractor. Está seguro que el zapato está colocado detrás de las dos lengüetas. Use los tornillos extraídos en la Etapa 4. Conecte la manguera de aspiración a la zapata de extracción-aspiración según se muestra.

Equipo requerido:

- 1) Dos cepillos extractores
- 2) Zapata de aspiración del extractor
- 3) Herramienta de cabezal hexagonal de 6 mm (provisita con la máquina)



NOTA: Para evitar que se extravíen NO extraiga las tuberías inhabilitadas y el tubo de aspiración, del cabezal de limpieza.

OPERACIÓN

LLENADO DEL TANQUE DE SOLUCION

La máquina puede usarse desde la parte posterior usando el orificio de llenado por manguera o desde el frente usando el orificio de llenado por balde (Figura 3).

NOTA: Al llenar el tanque de la solución con un balde, asegúrese que el balde esté limpio. No use el mismo balde para llenar y vaciar la máquina.

Llene el tanque de solución hasta la marca de 75 litros, con agua caliente, 60°C (140°F) máximo (Figura 3).

LIMPIEZA -EXTRACCION RESTAURATIVA: Vierta un detergente limpiador recomendado en el tanque de solución. Siga las instrucciones de mezcla en la botella.

LIMPIEZA READYSpace: No agregue detergentes para extracción-limpieza dentro del tanque de solución. El detergente limpiador debe prerociarse sobre la alfombra usando un rociador a bomba.

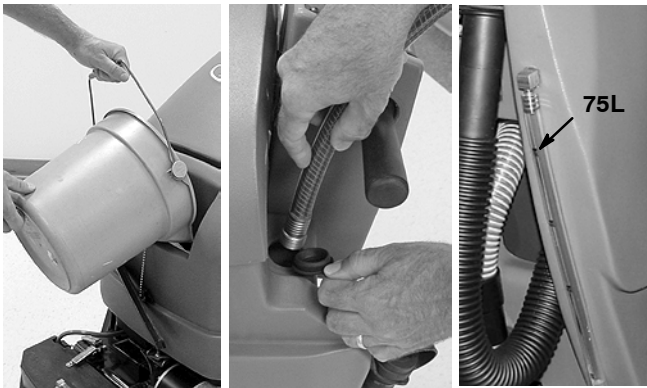


FIG. 3

ATENCIÓN: Al usar la máquina para extracción-limpieza restaurativa, sólo use detergentes de limpieza recomendados, en el tanque de solución. La falla de la máquina debido a un uso incorrecto del detergente anulará la garantía del fabricante.

⚠ ADVERTENCIA: Riesgo de incendio o explosión. Nunca use líquidos inflamables.

AJUSTE DE LA ALTURA DE LA CONSOLA DE CONTROL

Tire de la palanca de ajuste de altura de la consola y eleve o baje la consola a una altura cómoda de operación. Suelte la palanca para trabar en posición (Figura 4).



FIG. 4

OPERACION DE LA MÁQUINA

PARA SEGURIDAD: No opere la máquina a menos que haya leído y entendido el manual del operador.

PREOPERACION

NOTA: Para más detalles refiérase a la sección de Mantenimiento de la Máquina.

- aspire el piso y extraiga los desechos de haberlos.
- Inspeccione el nivel de carga del medidor de batería.
- Limpieza ReadySpace Cleaning: Inspeccione los rodillos por desgaste.
- Inspeccione las boquillas de rociado por patrones correctos de rociado.
- Limpieza ReadySpace: Inspeccione los rodillos y zapatas de aspiración por desechos.
- Asegúrese que el filtro del flotante de corte del tanque de recuperación esté limpio.
- Limpieza ReadySpace: Asegúrese que el tanque de solución esté lleno de agua solamente, y que no contenga detergentes limpiadores.
- Limpieza de extracción reconstituyente: Compruebe la presión de pulverización en las boquillas. Es posible que haya que cebar el sistema de disolución (consulte CEBADO DEL SISTEMA DE DISOLUCIÓN).

OPERACION DE LA MÁQUINA

Antes de la limpieza "ReadySpace", prerrocíe la alfombra con el detergente de pretratamiento ReadySpace de acuerdo con las instrucciones de la botella (Figura 5). Déjelo remojar en el detergente durante 5-10 minutos.

NOTA: El detergente de pretratamiento ReadySpace se ha formulado especialmente para la limpieza de productos ReadySpace. El uso de otro tipo de detergente de pretratamiento podría resultar en una limpieza deficiente.



FIG. 5

1. Gire la llave y el interruptor de la solución a la posición (I) (Figura 6).

NOTA: Las máquinas fabricadas con un número de serie anterior a 10243221 no están equipadas con la mejora del interruptor de solución. Pida el kit de instalación del interruptor de encendido de la solución, repuesto No. 9001593.

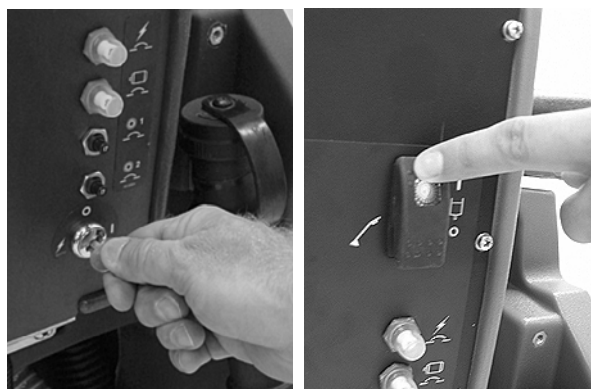


FIG. 6

2. Baje el cabezal de limpieza pulsando el interruptor correspondiente (Figura 7).

NOTA: Si se configuró la máquina para la limpieza ReadySpace, comenzará automáticamente un proceso de cebado de 20 segundos una vez que baje el cabezal de limpieza.



FIG. 7

3. Para comenzar la limpieza, gire las empuñaduras de control hacia delante y gire gradualmente la perilla de control de velocidad llevándola a la velocidad recomendada de limpieza (Figura 8).

Limpieza ReadySpace: 30 m (100 pies) por minuto.

Limpieza de extracción reconstituyente: 15 m (50 pies) por minuto.

NOTA: Las empuñaduras de control activan la transmisión, los cepillos y el flujo de solución.



FIG. 8

Para retroceder la máquina, simplemente gire las empuñaduras de control hacia atrás. La máquina continuará limpiando en retroceso durante la limpieza ReadySpace. Esto le permite volver a limpiar sobre áreas muy sucias, en esquinas y espacios estrechos. Al revertir durante la extracción restaurativa el cabezal de limpieza se eleva y se corta la limpieza.

OPERACIÓN

- Ajuste el medidor de presión de los cepillos. Si desea obtener los mejores resultados de limpieza, ajuste el medidor de presión de los cepillos dentro de la zona verde, según se muestra en la (Figura 9).

ATENCIÓN: No opera la máquina con el medidor de presión del cepillo en rojo ya que se activan los interruptores de circuito.



FIG. 9

- Para detener la máquina, estacione sobre una superficie nivelada y suelte gradualmente las empuñaduras de control.
- Después de limpieza-extracción restaurativa, coloque los sopladores en el área para reducir el tiempo de secado.
- Efectúe los procedimientos de MANTENIMIENTO DIARIO DE LA MÁQUINA.

AL OPERAR LA MÁQUINA

⚠ ADVERTENCIA: Riesgo de incendio o explosión. No aspire materiales inflamables o metales reactivos.

- Superponga cada recorrido en 50 mm (2 pul.).
- Use un patrón de rectángulo plegado al limpiar cuartos grandes (Figura 10).

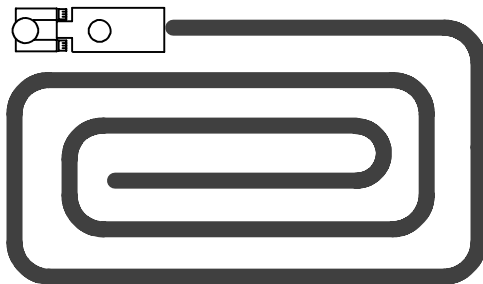


FIG. 10

- Limpieza de extracción reconstituyente: Desconecte el interruptor de solución al girarlo 180° y justo antes de detenerse. De esta manera, evitará verter solución en exceso en el piso.

- En caso que aparezca espuma excesiva en el tanque de recuperación, vierta una solución recomendada de control de espuma en el tanque.

ATENCIÓN: No permita que la espuma penetre en el tamiz del flotante de corte ya que se puede averiar el motor de aspiración. Una acumulación excesiva de espuma impide la activación del filtro del flotante de corte.

- No opere la máquina sobre pendientes que exceden 3° grados al limpiar u 11° grados al transportar.

PARA SEGURIDAD: Al usar la máquina disminuya la velocidad en las pendientes y superficies resbaladizas.

- Observe el nivel de descarga del medidor de la batería (Figura 11). Cuando el medidor comienza a centellear, detenga la limpieza y transporte la máquina al área de recarga. Cuando dos luces comienzan a centellear alternativamente, el cabezal de limpieza se eleva automáticamente a la posición de transporte. Esto protege las baterías contra una descarga total. Recargue inmediatamente las baterías.

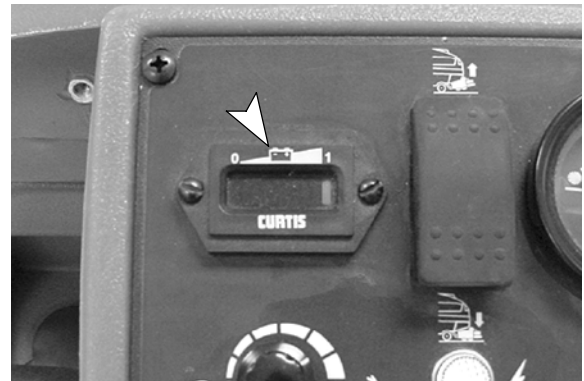


FIG. 11

- Observe el nivel del depósito de disolución (Figura 12). No permita que se quede vacío el depósito de solución durante la limpieza de extracción de restauración. Si el depósito se queda vacío, el sistema de disolución deberá ser cebado (Consulte CEBADO DEL SISTEMA DE DISOLUCIÓN).



FIG. 12

- Al dejar la máquina desatendida, estacione la máquina en una superficie nivelada y extraiga la llave.

LIMPIEZA DE LA CAJA DE ACCESORIOS

Las herramientas accesorias opcionales le permiten limpiar tapicería y áreas alfombradas la máquina no puede alcanzar, tales como alcobas, escaleras, esquinas y cuartos pequeños.

Conecte la herramienta accesoria a la máquina.

- Estacione la máquina en una superficie nivelada y gire todos los conmutadores a la posición OFF.
- Conecte la manguera de solución de las herramientas accesorias al acople ubicado en la parte posterior de la máquina (Figura 13).

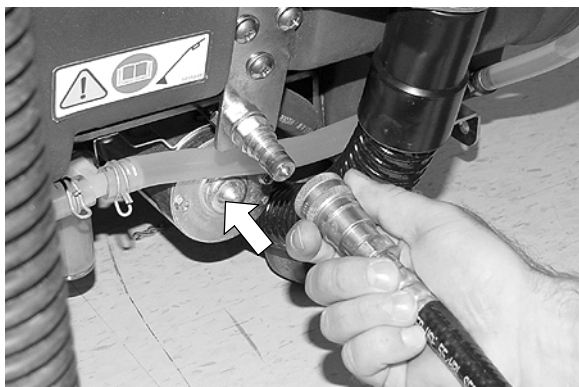


FIG. 13

- Desconecte la manguera inferior de aspiración de la máquina y reemplácela con la manguera de aspiración para las herramientas accesorias (Figura 14).

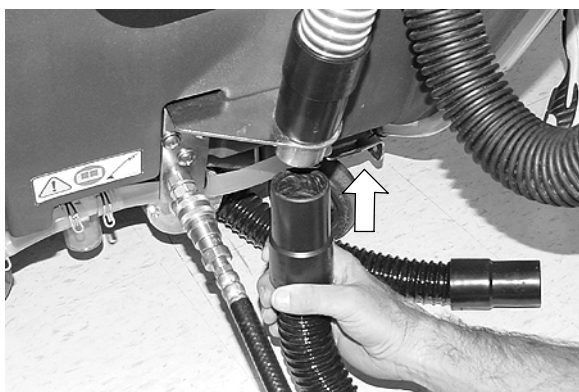


FIG. 14

- Fije la herramienta accesoria deseada a la manguera.

Operación de las herramientas accesorias:

- Gire la llave a la posición "on" (I).
- Pulse el interruptor de solución hacia el símbolo de herramienta auxiliar, la posición de apagado (O), según se muestra en la (Figura 15).

NOTA: Para desplazar la máquina mientras utiliza la herramienta auxiliar, debe encender el interruptor de solución para activar el sistema de transmisión si se configuró la máquina para la limpieza ReadySpace.

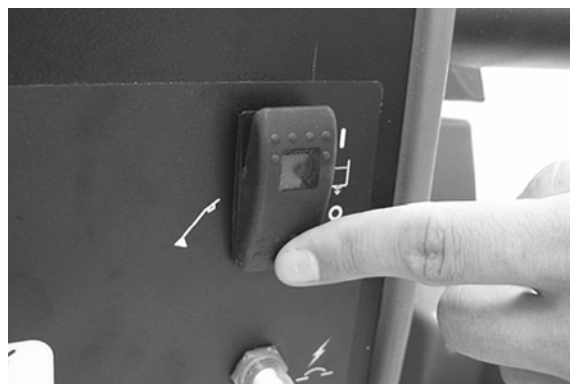


FIG. 15

- Baje el cabezal de limpieza para activar la succión de aspiración (Figura 16).



FIG. 16

OPERACIÓN

- Coloque la herramienta accesoria en el área a limpiarse. Oprima el gatillo en la herramienta accesoria y lentamente tire hacia atrás de la herramienta mientras aplica una presión descendente (Figura 17). Suelte el gatillo a 6 pulgadas del final de la carrera. Empuje la herramienta hacia adelante sobre el mismo recorrido con el gatillo suelto al retornar a la próxima carrera. Continúe este método de tirar y empujar con una superposición de 50-100 mm (2-4 pul.).

NOTA: Al limpiar tapicería, observe siempre las instrucciones de limpieza cosidas en el mueble por el fabricante.

⚠ ADVERTENCIA: Riego de incendio o explosión. No aspire materiales inflamables o metales reactivos.



FIG. 17

- Después de limpiar elimine la presión del agua de la herramienta accesoria antes de desconectar la manguera de solución. Oprima el gatillo por cinco segundos después de girar la llave a off.

INTERRUPTORES DE CIRCUITO DE LA MÁQUINA

La máquina está equipada con cuatro interruptores de circuito reposicionables para proteger la máquina contra averías. En caso que un interruptor de circuito se active durante la operación, determine la causa, permita que el motor se enfríe y a continuación reposicione manualmente el botón del interruptor. El panel del interruptor de circuito está ubicado en la parte posterior de la máquina (Figura 18).

- 10 Amp. Interruptor principal de circuito
- 20 Amp. Interruptor de circuito del motor propulsor
- 17 Amp. Interruptor de circuito del motor del cepillo N° 1
- 17 Amp. Interruptor de circuito del motor del cepillo N° 2

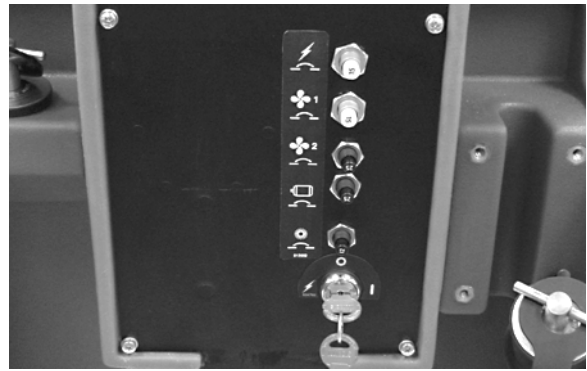


FIG. 18

Cada motor de aspiración está protegido por un fusible de 30 amp. Los fusibles están colocados en el arnés de cable que está conectado a cada motor de aspiración. Al reemplazar un fusible nunca substituya el especificado por un fusible de capacidad nominal mayor (Pieza No. 768688 - Fusible, 30 AMP).

PARA SEGURIDAD: Todas las reparaciones deben ser realizadas por una persona de servicio calificada.

MEDIDOR HORARIO

El medidor horario registra las horas totales en que los motores del cepillo han estado funcionando. Use el medidor horario para determinar cuando se deben efectuar los procedimientos recomendados de mantenimiento y para registrar el historial de servicio (Figura 19).

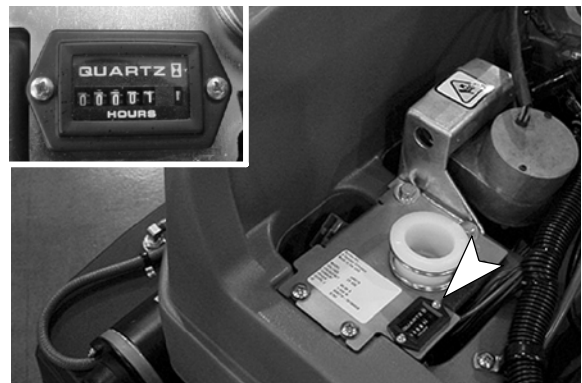


FIG. 19

TANQUES DE DRENAJE

Drene y enjuague los tanques después de cada uso. Los recintos de personal de limpieza con piletas de piso son los más apropiados para descartar el agua servida. Use un balde de cinco galones en caso que la pileta de piso no esté disponible.

1. Eleve el cabezal de limpieza a la posición de transporte y transporte la máquina a un sitio de drenaje. Gire la llave a la posición off.
2. Extraiga la tapa de la manguera de drenaje y baje lentamente la manguera sobre el sitio de drenaje (Figura 20). Para detener el flujo levante la manguera. La manguera de drenaje del tanque de recuperación está ubicado en el lado derecho y la manguera de drenaje del tanque solución está ubicada en el lado izquierdo.

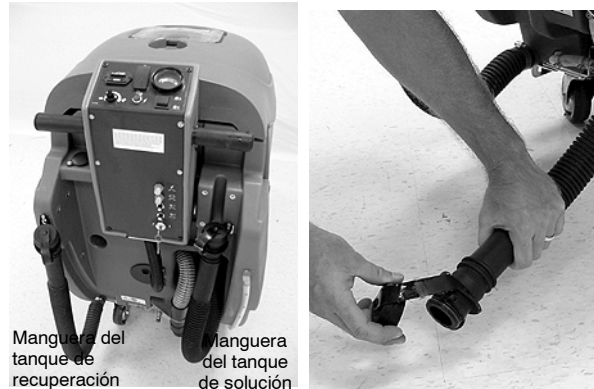


FIG. 20

NOTA: Al usar un balde para drenar el tanque de recuperación, no use el mismo balde para llenar el tanque de solución.

3. Enjuague el tanque de recuperación y el filtro del flotante de corte con agua limpia (Figura 21).

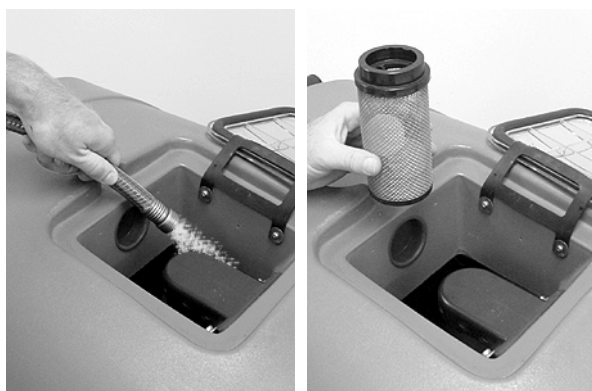


FIG. 21

4. Vuelva a colocar firmemente las tapas de la manguera de drenaje, después de drenar.

CAMBIO DE BATERIAS

ATENCIÓN: Para prolongar la duración de las baterías y para proporcionar un rendimiento óptimo de la máquina, **SOLO** recargue las baterías después de un total de 30 minutos de uso o más. **No deje las baterías descargadas durante períodos prolongados.**

MEDIDOR DE LA BATERIA: Cuando el medidor de la batería comienza a centellear, detenga la limpieza y recargue las baterías. Cuando las dos luces comienzan a centellear alternativamente, el cabezal de limpieza se eleva automáticamente a la posición de transporte. Esto protege a las baterías de descargarse totalmente.

Las instrucciones siguientes de carga son para cargadores de baterías provistas con la máquina. Use sólo un cargador de batería con las especificaciones siguientes para prevenir daños a la batería.

ESPECIFICACIONES DEL CARGADOR DE LA BATERIA:

- VOLTAJE DE SALIDA - 24 VOLTIOS
- CORRIENTE DE SALIDA - 20 AMPS
- CIRCUITO DE CORTE AUTOMATICO
- PARA CARGA DE BATERIAS DE CICLO PROFUNDO

1. Transporte la máquina a un área bien ventilada para cargar.

⚠ ADVERTENCIA: Riesgo de incendio o explosión. Las baterías emiten gas hidrógeno. Mantenga las chispas y llamas expuestas, alejadas. Al cargar mantenga abierta la cubierta del compartimento de la batería.

2. Estacione la máquina sobre una superficie nivelada y gire la llave a off.
3. Antes de cargar las baterías, inspeccione periódicamente el nivel de electrolitos en cada celda de la batería (Figura 22).

OPERACIÓN

El nivel de electrolitos (A) debe cubrir ligeramente las placas de la batería (B). Agregue agua destilada según se requiera. **NO LLENE EN EXCESO**, el líquido puede expandirse y derramarse al cargar. Vuelva a colocar las tapas de las celdas antes de cargar (Figura 22).

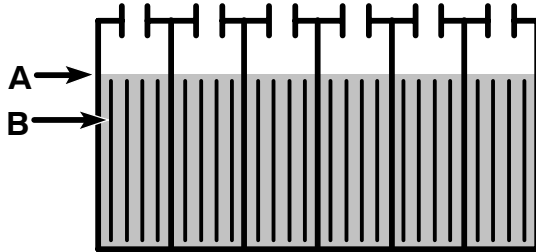


FIG. 22

PARA SEGURIDAD: Al prestar servicio a la máquina, use guantes protectores y lentes de seguridad al manejar las baterías o los cables de la batería. Evite el contacto con el ácido de la batería.

4. Conecte el cordón eléctrico de CA a un receptáculo correctamente conectado a tierra.
5. Conecte el cordón de CC del cargador al receptáculo de la batería de la máquina, ubicado cerca del tanque de recuperación (Figura 23). Apoye el tanque de recuperación sobre el caballete de soporte para promover ventilación durante la carga.

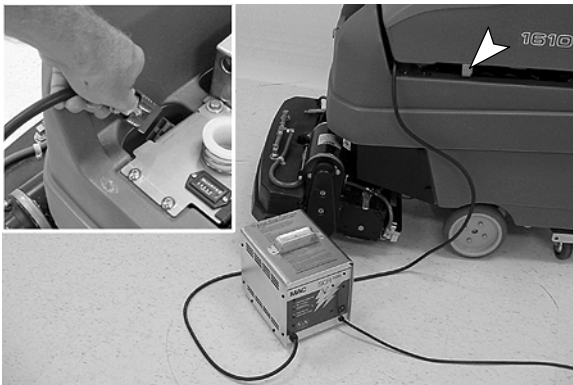


FIG. 23

6. El cargador comienza automáticamente a cargar y se apaga cuando se haya alcanzado una carga completa.

NOTA: La máquina no funciona cuando el cargador de la batería está conectado.

ATENCIÓN: No desconecte el cordón de CC del cargador del receptáculo de la máquina cuando el cargador está funcionando. Puede resultar en emisión de un arco eléctrico. Si debe interrumpirse el cargador durante la carga, desconecte primero el cordón de alimentación de CC.

⚠ ADVERTENCIA: Riesgo de incendio o explosión. Las baterías emiten gas hidrógeno. Mantenga las chispas y llamas expuestas, alejadas. Al cargar mantenga abierto el compartimiento de las baterías.

7. Después de cargar, inspeccione nuevamente el nivel del electrolito (A). El nivel debe estar aproximadamente a 1 cm (3/8 pul.) desde el fondo del orificio de llenado (B) (Figura 24). Agregue agua destilada si se necesita. **NO LLENE EN EXCESO.**

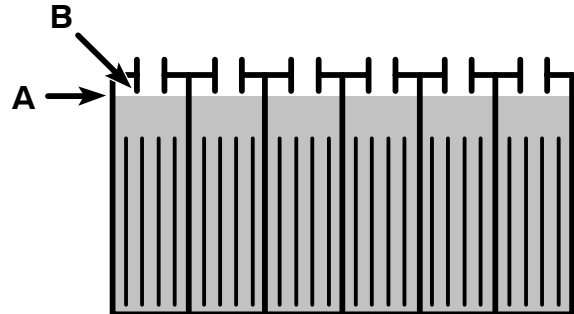


FIG. 24

MANTENIMIENTO DE LA MÁQUINA

Para mantener la máquina en buen estado de funcionamiento, simplemente observe los procedimientos de mantenimiento diarios, semanales y mensuales.

PARA SEGURIDAD: Antes de salir de o prestar servicio a la máquina, deténgala en una superficie nivelada y apáguela.

⚠ ADVERTENCIA: Riesgo eléctrico. Desconecte los cables de la batería antes de prestar servicio a la máquina.

ATENCIÓN: Para reparaciones a la máquina consulte con un Centro Autorizado de Servicio. Las reparaciones a la máquina efectuadas por alguien que no sea una persona autorizada anula su garantía.

MANTENIMIENTO DIARIO (Después de cada uso)

1. Drene y enjuague el tanque de recuperación (Figura 25).



FIG. 25

2. Enjuague el filtro del flotante de corte ubicado en el tanque de recuperación (Figura 26).



FIG. 26

3. Drene y enjuague el tanque de solución.
4. Limpieza ReadySpace: Extraiga el faldón contra salpicaduras e inspeccione los rodillos por desgaste. Si la separación entre los dos rodillos es mayor de 4 mm (5/32 pul.) reemplace los rodillos (Figura 27). Siempre reemplace los rodillos como un juego.

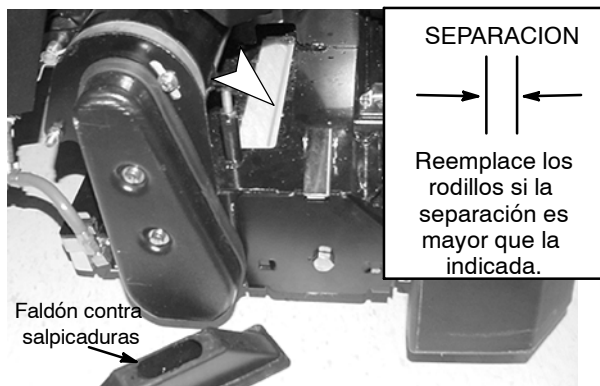


FIG. 27

5. Limpie la armadura de la máquina con un limpiador universal y un trapo húmedo (Figura 28).

PARA SEGURIDAD: Al prestar servicio a la máquina no rocíe a máquina ni use una manguera. Puede ocurrir un mal funcionamiento eléctrico.



FIG. 28

6. Recargue las baterías (Figura 29). Vea CARGA DE LAS BATERIAS.

NOTA: Para prolongar la vida útil de las baterías SOLO recargue las mismas después de un total de 30 minutos de uso o más.

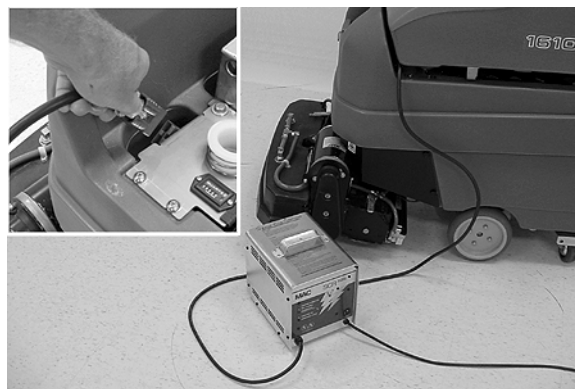


FIG. 29

OPERACIÓN

MANTENIMIENTO SEMANAL (Cada 10 horas de uso)

1. Invierta los extremos de los rodillos ReadySpace por cada 10 horas de uso (Figura 30). La duración del rodillo está diseñada para 100 horas de uso por lo menos, bajo condiciones normales de limpieza. Reemplace los rodillos si la separación entre los mismos es mayor de 4 mm (5/32 pul.) .

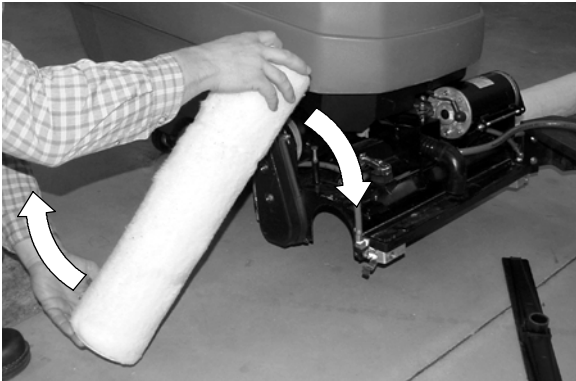


FIG. 30

2. Limpie la acumulación de desechos del lado de abajo del cabezal de limpieza (Figura 31)

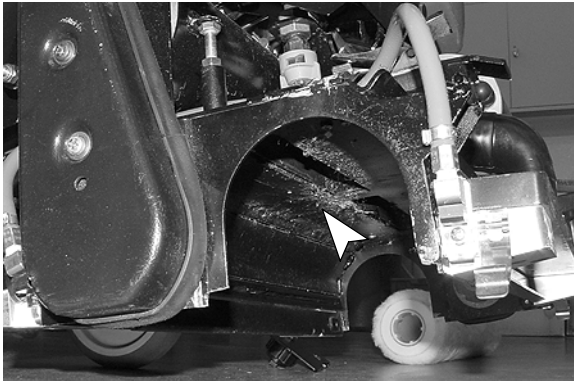


FIG. 31

3. Extraiga las cubiertas de las zapatas de aspiración de los rodillos delantero y posterior y limpie los desechos (Figura 32).

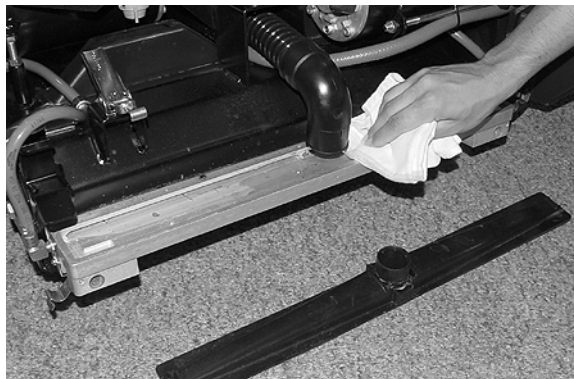


FIG. 32

4. Extraiga las fibras enredadas y los desechos de los cepillos (Figura 33). Reemplace los cepillos si están gastados. Observe el medidor de presión del cepillo para determinar cuando se deben reemplazar los cepillos gastados.

Si no se puede ajustar dentro de la zona verde, es una buena indicación que los cepillos deben reemplazarse.



FIG. 33

5. Limpie los desechos que se encuentran en la zapata de extracción-aspiración de la alfombra (Figura 34).

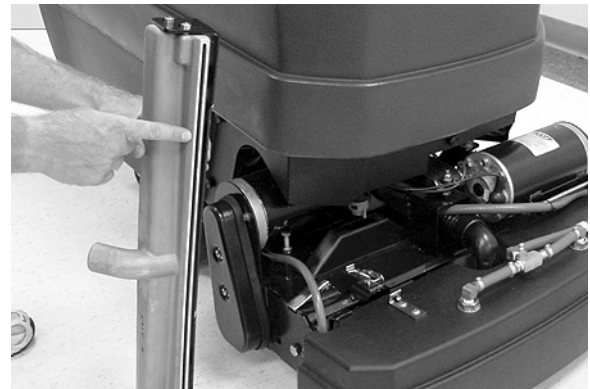


FIG. 34

6. Inspeccione las puntas de rociado por un patrón de rociado correcto (Figura 35). Si el patrón de rociado está obstruido, limpie o reemplace las puntas de rociado (Vea MANTENIMIENTO MENSUAL).



FIG. 35

MANTENIMIENTO MENSUAL (Cada 80 horas de uso)

1. Extraiga el filtro del tanque de solución de la parte inferior de la máquina y enjuague los tamices. Antes de extraer el filtro, asegúrese que el tanque de solución esté limpio (Figura 36).

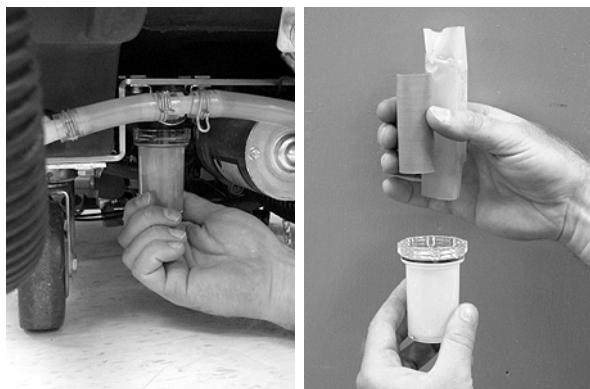


FIG. 36

2. Para disolver la acumulación normal de sustancias químicas alcalinas lave el sistema de la bomba con una solución de ácido acético. Siga las instrucciones de abajo:
 - a. Extraiga los rodillos/cepillos de la máquina.
 - b. Vierta 11 litros (3 gal.) de agua caliente dentro del tanque de solución, no exceda 60°C (140°F).

- c. Agregue la solución de ácido acético de acuerdo con las instrucciones de mezcla en la botella.

PARA SEGURIDAD: Al usar la máquina, observe las instrucciones de mezcla y manejo de los recipientes de sustancias químicas.

- d. Coloque la máquina en un área con un drenaje de piso.
 - e. Bloquee las ruedas y gire la perilla de control de velocidad a la graduación más baja.
 - f. Opere ambas tecnologías de limpieza por un minuto cada una sobre el drenaje de piso.

NOTA: Se requiere el cambio de la zapata de aspiración para operar las tecnologías de ReadySpace y Extracción Restaurativa.

- g. Gire la llave a off y mantenga la máquina inactiva durante la noche para permitir que la solución de ácido acético elimine la acumulación alcalina.
 - h. Al día siguiente disperse la solución restante de ácido acético y enjuague el sistema de solución con 11 litros (3 gal.) de agua limpia.

3. Extraiga las cuatro puntas de rociado de desenganche rápido del cabezal de limpieza (Figura 35). Para extraer gire las puntas en sentido contrario a las agujas del reloj. Empape las puntas y tamices en la solución de ácido acético hasta 6 horas (Figura 37). Observe las instrucciones de mezcla en la botella. No use objetos aguzados para destapar las puntas ya que puede resultar en daños.

IMPORTANTE: Al reemplazar las puntas de rociado, asegúrese de instalar el conjunto de punta verde de rociado (punta N° 11002) sobre los rodillos ReadySpace y el conjunto de punta blanca de rociado (punta N° 11005E) dentro del amortiguador delantero. **NOTA:** El filtro de la punta de rociado no se requiere para ReadySpace.



FIG. 37

OPERACIÓN

Inspeccione la dirección del patrón de rociado después de instalar las puntas de rociado. Las puntas de rociado ReadySpace deben rociar directamente entre los dos rodillos. Las puntas de rociado ReadySpace deben rociar directamente entre los dos rodillos. El patrón de rociado de extracción restaurativa debe superponerse ligeramente a un ángulo de 3° grados. (Figura 38).

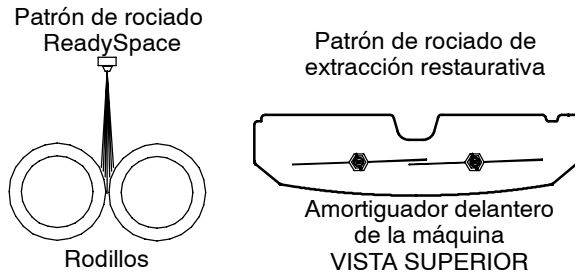


FIG. 38

4. Inspeccione el patrón de rociado en las dos tuberías de limpieza ReadySpace (4 puntas de rociado). Si las puntas están taponadas, extraiga las tuberías y sumerja en una solución de ácido acético por hasta seis horas (Figura 39). No extraiga las puntas de las tuberías de limpieza.

NOTA: Durante la operación ReadySpace las puntas de rociado de la tubería de limpieza rocían cada 2 1/2 minutos por 3 segundos.

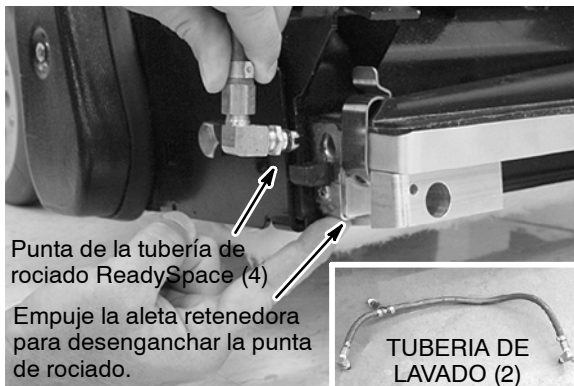


FIG. 39

5. Mantenga las baterías (Vea MANTENIMIENTO DE LA BATERÍA).
6. Lubrique las graseras de las ruedas metálicas con una grasa resistente al agua (Figura 40).



FIG. 40

7. Lubrique todos los puntos de pivote con rociado de siliconas y a continuación recubra con grasa resistente al agua para mantener una operación de funcionamiento suave.
8. Inspeccione la máquina por pérdidas de agua y tuercas y pernos flojos.
9. Inspeccione periódicamente la tensión de la correa en los motores de los dos cepillos. Ajuste la correa si puede torcerla más de 90° en el punto medio (Figura 41).

PARA SEGURIDAD: Al prestar servicio a la máquina desconecte las conexiones de la batería.



FIG. 41

MANTENIMIENTO DEL MOTOR

Trimestralmente (cada 250 horas) - verifique si hay desgaste en las escobillas de carbono en el motor de la transmisión delantera y en los motores de aspiración. Reemplace las escobillas de carbono cuando el desgaste las haya dejado con una longitud de 10 mm (0.38 pul.) o menos.

Anualmente (cada 1000 horas) - verifique si están desgastadas las escobillas de carbono en los motores de los cepillos. Reemplace las escobillas de carbono cuando el desgaste las haya dejado con una longitud de 10 mm (0.38 pul.) o menos.

Consulte con un Centro de Servicio Autorizado si necesita efectuar reparaciones de la máquina.

PARA SEGURIDAD: Todas las reparaciones de máquina deben ser realizadas por un técnico calificado.

⚠ ADVERTENCIA: Riesgo de descarga eléctrica. Desconecte los cables de la batería antes de prestar servicio a la máquina.

MANTENIMIENTO DE LA BATERIA

⚠ ADVERTENCIA: Riesgo de incendio o explosión. Las baterías emiten gas hidrógeno. Mantenga alejada de chispas y llamas expuestas. Llamas expuestas, alejadas. Al cargar mantenga abierto el compartimiento de la batería.

PARA SEGURIDAD: Al prestar servicio a la máquina, use guantes protectores y lentes de seguridad al manejar las baterías o los cables de la batería. Evite el contacto con el ácido de la batería.

1. Inspeccione la gravedad específica usando un hidrómetro, para determinar el nivel de carga y el estado de las baterías (Figura 42). Si una o más de las celdas de la batería leen menos que las otras celdas de la batería (0.050 o más), la cédula está dañada, en cortocircuito o está por fallar. Inspeccione la lectura del hidrómetro contra la tabla siguiente, para determinar el nivel restante de carga de la batería.

NOTA: No tome lecturas inmediatamente después de agregar agua destilada. Las lecturas pueden no ser exactas si el agua y el ácido no están bien mezclados.



FIG. 42

GRAVEDAD ESPECIFICA a 27°C (80°F)	CARGA DE LA BATERIA
1.265	100% CARGADA
1.223	75% CARGADA
1.185	50% CARGADA
1.148	25% CARGADA
1.110	DESCARGADA

NOTA: Si las lecturas se toman cuando el electrolito de la batería está a una temperatura diferente a 27°C (80°F), la lectura debe corregirse por temperatura. Sume o reste a la lectura de gravedad específica 0.004, 4 puntos, por cada 6°C (43°F) sobre o debajo 27°C (80°F).

2. Observe siempre las instrucciones apropiadas de carga (Vea CARGA DE BATERIAS).
3. Inspeccione el nivel de electrolitos (A) en cada celda de batería, **después de cargar las baterías**. El nivel debe estar a 1 cm (3/8 pul.) aproximadamente, desde el fondo del orificio de llenado (B). Agregue agua destilada si se necesita (Figura 43). **NO LLENE EN EXCESO.**

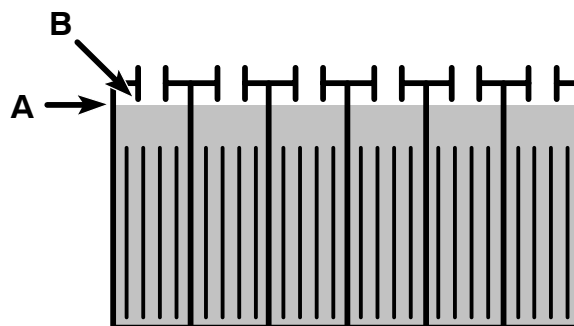


FIG. 43

4. Mantenga limpios los topos de las baterías para evitar la corrosión de las mismas.
Para limpiar las baterías:

PARA SEGURIDAD: Al prestar servicio a la máquina, use guantes protectores y lentes de seguridad al manejar las baterías o los cables de la batería. Evite el contacto con el ácido de la batería.

OPERACIÓN

- a. Mezcle una solución potente de bicarbonato y agua (Figura 44).



FIG. 44

- b. Cepille con poca solución sobre los topos de las baterías y los conectores de cables.

NOTA: No permita que la solución de bicarbonato de sosa penetre en las celdas de la batería.

- c. Use un cepillo de alambre para limpiar los terminales de la batería y los conectores de cable.
 - d. Aplique una capa ligera de grasa no metálica o rocío protector sobre las conexiones del cable para prevenir la corrosión de la batería.
5. Inspeccione por cables flojos o desgastados. Reemplace si están desgastados.

CEBADO DEL SISTEMA DE DISOLUCIÓN

Las siguientes instrucciones son para el cebado del sistema de disolución de extracción de restauración. El sistema de disolución ReadySpace cuenta con un proceso automático de cebado.

El cebado del sistema de disolución de extracción de restauración sólo es necesario si el depósito de disolución se vacía o si se forman marcas durante la limpieza.

Para cebar el sistema de disolución:

Es necesaria una manguera de purga (n/p 700141). Debe adquirirse separadamente.

1. Conecte la manguera de purga al acoplamiento de manguera de disolución del accesorio (Figura 45).
2. Para máquinas que estén equipadas con un interruptor de disolución, coloque el interruptor en la posición de encendido.
3. Gire la llave hasta la posición de encendido y gire los mandos de control durante aproximadamente 20 segundos.

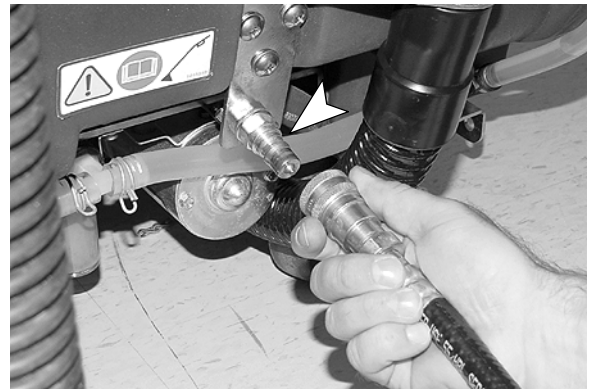


FIG. 45

ELEVACION DE LA MÁQUINA

Use la ubicación designada, debajo del tanque de solución, para elevar la máquina. Use un trozo de madera para distribuir la carga del peso de la máquina (Figura 46).

Antes de elevar la máquina, estacione sobre una superficie nivelada y bloquee las ruedas.



FIG. 46

PARA SEGURIDAD: Al prestar servicio a la máquina, elévela en las ubicaciones designadas solamente. Bloquee la máquina en la posición elevada con los soportes del gato.

TRANSPORTE DE LA MÁQUINA

Al transportar la máquina usando un acoplado o camión, asegúrese de seguir los procedimientos de amarre indicados abajo:

PARA SEGURIDAD: Al usar la máquina, proceda lentamente en pendientes y superficies resbaladizas.

1. Eleve el cabezal de limpieza a la posición de transporte.
2. Cargue la máquina usando una rampa recomendada de carga.
3. Coloque el frente de la máquina contra el frente del acoplado o camión. Una vez que la máquina está en posición, baje el cabezal de limpieza y gire la llave a Off.
4. Para evitar que la máquina ruede, coloque un bloque detrás de cada rueda.
5. Coloque correas de amarre sobre la parte superior de la máquina para evitar que vuelque. Puede ser necesario instalar soportes de amarre en el piso de su acoplado o camión.

NOTA: No use las empuñaduras de control para asegurar la máquina, al transportarla.

PARA SEGURIDAD: Al transportar la máquina, use una rampa recomendada al cargar/descargar en/de un camión o acoplado.

NOTA: Al transportar la máquina bajo temperaturas de congelación vea **ALMACENAMIENTO DE LA MÁQUINA**.

ALMACENAMIENTO DE LA MÁQUINA

1. Cargue las baterías antes de almacenar. Nunca almacene la máquina con baterías descargadas.
2. Drene y enjuague bien los tanques.
3. Almacene la máquina en un área seca con el cabezal de limpieza en la posición elevada.
4. Para facilitar la circulación de aire, extraiga la tapa del tanque de recuperación.

ATENCIÓN: En caso de almacenar la máquina bajo temperaturas de congelación, asegúrese de drenar los tanques, purgar la bomba y extraer el filtro del tanque de solución ubicado debajo de la máquina en la parte posterior.

ATENCIÓN: No exponga la máquina a la lluvia, almacene bajo techo.

ARTICULOS RECOMENDADOS PARA MANTENER EN STOCK

Para los artículos recomendados para mantener en existencia, referirse la al Lista de Piezas. Los artículos para mantener en stock están claramente identificados con una bala delante de la descripción de las piezas. Vea el ejemplo de abajo:

Ref.	Part No.	Description	Qty.
1	701103	ASSEMBLY, STANDPIPE	1
2	180618	● FLOAT, SHUTOFF	1
3	230197	NIPPLE	1
4	101714	● GASKET	1
5	210240	NUT, FLANGED	1

LOCALIZACION DE FALLAS

PROBLEMA	CAUSA	SOLUCION
La máquina no tiene potencia.	Llave en off.	Gire la llave a on.
	Interruptor de circuito de la energía principal activado.	Reposicione el interruptor.
	Baterías descargadas.	Recargue las baterías.
	Cable de la batería flojo o desconectado.	Asegure las conexiones del cable de la batería.
	Duración de la batería vencida.	Reemplace las baterías.
El/los motor(es) del cepillo no funcionan.	Las empuñaduras de control no están giradas.	Gire hacia adelante las empuñaduras de control.
	Interruptor(es) de circuito del motor activados.	Determine la cause y reposicione el interruptor.
	El interruptor de encendido de la solución está apagado.	Debe activar el interruptor de encendido de la solución para activar los motores de los cepillos.
	Interruptor de bajo voltaje activado.	Recargue las baterías.
	Cableado flojo o roto.	Consulte con el Centro de Servicio.
	Motor o cableado defectuosos.	Consulte con el Centro de Servicio.
	Escobillas de carbón gastadas en el motor.	Consulte con el Centro de Servicio.
El/los motor(es) de aspiración no funcionan.	Cabezal de limpieza elevado sobre el piso.	Baje el cabezal de limpieza.
	Interruptor de bajo voltaje activado.	Recargue las baterías.
	Fusible quemado.	Reemplace el fusible (Nº 768688 - Fusible de 30A)
	Motor de aspiración o cableado defectuoso.	Consulte con el Centro de Servicio.
	Escobillas de carbón gastadas en el motor.	Consulte con el Centro de Servicio.
La máquina no propulsa o propulsa incorrectamente.	El interruptor de encendido de solución está apagado.	Debe activar el interruptor de encendido de la solución mientras efectúa la limpieza ReadySpace.
	Interruptor de circuito del motor propulsor activado.	Determine la causa y reposicione el interruptor de circuito.
	Potenciómetro o panel de control de velocidad, defectuoso.	Consulte con el Centro de Servicio.
	Motor propulsor o cableado, defectuosos.	Consulte con el Centro de Servicio.
	Escobillas de carbón gastadas en el motor.	Consulte con el Centro de Servicio.

LOCALIZACION DE FALLAS - Continuación

PROBLEMA	CAUSA	SOLUCION
El cabezal de limpieza no baja.	El cable N° 47 no está conectado a las baterías.	Conecte el cable N° 47 a la batería según se indica en la etiqueta de conexión del cable de la batería.
	Interruptor de bajo voltaje activado.	Recargue las baterías.
No sale el rociado de solución o el rociado de solución es irregular.	Las empuñaduras de control no están giradas.	Gire las empuñaduras de control para activar el rociado.
	El interruptor de encendido de solución está apagado.	Active el interruptor de encendido de la solución.
	El cabezal de limpieza no se ha bajado.	Baje el cabezal de limpieza.
	Vacíe el tanque de solución.	Llene el tanque de solución.
	Se ha instalado una zapata incorrecta de aspiración.	Instale la zapata correcta de aspiración.
	Puntas de rociado tapadas.	Limpie las puntas de rociado.
	Filtro del tanque de solución taponado.	Limpie el filtro del tanque de solución.
	Tubería de solución taponada.	Limpie el sistema de plomería.
	Bomba o solenoide defectuoso.	Consulte con el Centro de Servicio.
Aparecen marcas.	Presión baja de la disolución pulverizadora.	Cebe el sistema de disolución. (Consulte CEBADO DEL SISTEMA DE DISOLUCIÓN).
	Puntas de rociado tapadas.	Limpie las puntas de rociado.
	El patrón de la punta de rociado está desalineado.	Realinee las puntas de rociado.
	Filtro del tanque de solución taponado.	Limpie el filtro del tanque de solución.
	Tubería de solución taponada.	Limpie el sistema de plomería.
El cabezal de limpieza continúa dispersando al usar herramientas accesorias.	El interruptor de encendido de la solución está activado.	Pulse el interruptor de encendido de la solución llevándolo a la posición del símbolo de herramienta auxiliar (posición de apagado).
	La zapata de aspiración ReadySpace está instalada en el cabezal de limpieza. <i>(En el caso de los modelos cuyo número de serie sea anterior a 10243221)</i>	Debe instalarse la zapata de aspiración del extractor para desactivar el flujo de solución al cabezal de limpieza.

OPERACIÓN

LOCALIZACION DE FALLAS - Continuación

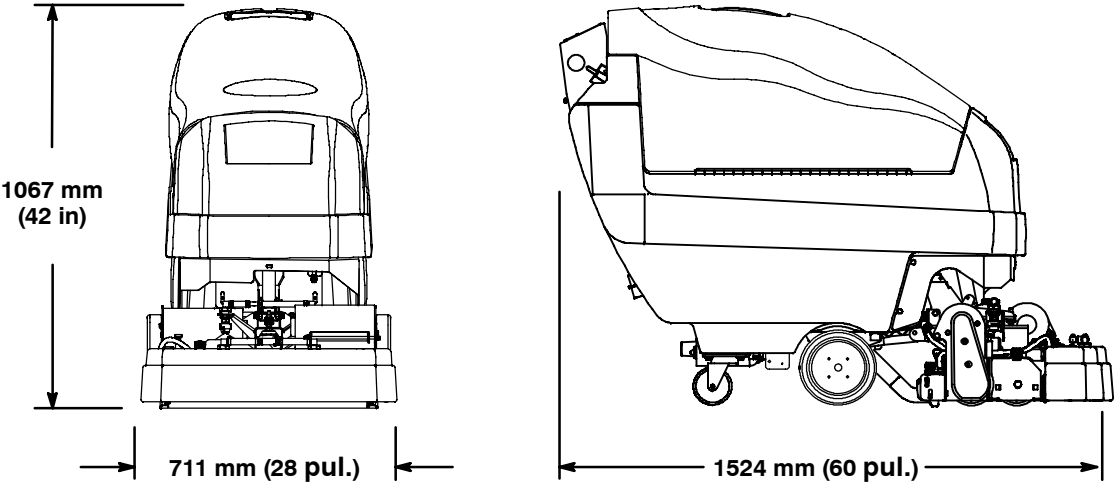
PROBLEMA	CAUSA	SOLUCION
Mala toma de agua.	Tanque de recuperación lleno.	Drene el tanque de recuperación.
	Rodillos ReadySpace gastados.	Reemplace los rodillos.
	Zapatas de aspiración taponadas.	Limpie las zapatapas de aspiración.
	Se ha instalado una zapata incorrecta de aspiración.	Instale la zapata correcta de aspiración.
	Tamiz del flotante de corte taponado dentro del tanque de recuperación.	Limpie el tamiz.
	Tapa floja de la manguera de drenaje del tanque de recuperación.	Ajuste la tapa.
	Manguera de aspiración floja o desconectada.	Conecte bien los aros de la manguera.
	Cabezal de vacío taponado.	Extraiga los desechos taponados.
	Manguera de vacío defectuosa.	Reemplace la manguera.
	La tapa del tanque de recuperación no está en su lugar.	Coloque la tapa en la posición correcta.
	Junta gastada de la tapa del tanque.	Reemplace la junta.
Aparece una cantidad excesiva de espuma/crema en el piso durante la limpieza ReadySpace.	Se agregaron detergentes de limpieza al tanque de solución.	Drene y enjuague el tanque de solución y llene con agua solamente, no agregue detergente limpiador.
	Se utilizó un detergente de pretratamiento desautorizado.	Use detergente de pretratamiento ReadySpace.
No se puede ajustar el medidor de presión del cepillo en la zona verde o el medidor no indica ninguna lectura.	Escobillas de carbón desgastadas.	Reemplace las escobillas.
	Interruptor de circuito defectuoso.	Reposicione el botón del interruptor de circuito del cepillo.
	Correa del cepillo floja o rota.	Consulte con el Centro de Servicio.
Tiempo de funcionamiento breve.	Carga baja de la batería.	Cargue las baterías.
	Baterías defectuosas.	Reemplace las baterías.
	Las baterías requieren mantenimiento.	Vea MANTENIMIENTO DE LA BATERIA.
	Cargador defectuoso.	Repare o reemplace el cargador de la batería.
La boquilla(s) de pulverización gotea cuando no se usa. (Consulte DIAGRAMA DE FLUJO DE LA DISOLUCIÓN como referencia)	Válvula de derivación atascada. (Boquillas de pulverización ReadySpace)	Limpiar o sustituir la válvula de derivación.
	Filtro de boquillas de pulverización atascado. (Boquillas de pulverización de extracción reconstituyente)	Limpiar o sustituir el filtro de boquillas de pulverización.
	Solenoides atascado o con fallos.	Limpiar o sustituir el solenoide.

ESPECIFICACIONES DE LA MÁQUINA

MODELO	Tennant 1610
LARGO	1524 mm (60 pul.)
ANCHO	711 mm (28 pul.)
ALTO	1067 mm (42 pul.)
PESO	268 Kg (590 lbs) / 154 Kg (340 lbs) menos baterías
CAPACIDAD DEL TANQUE DE RECUPERACION	79 L (21 galones)
CAPACIDAD DEL TANQUE DE SOLUCION	79 L (21 galones)
CLASIFICACION NOMINAL DE PRODUCTIVIDAD (MAX)	Limpieza ReadySpace: 1200 m2 (13000 pies cuadr.) por hora Limpieza de extracción restaurativa: 1000 m2 (11000 pies cuadr.) por hora
VELOCIDAD DE RECORRIDO (MAX)	Limpieza ReadySpace: 36.5 m (120 pies) por minute Limpieza- extracción restaurativa 30.5 m (100 pies) por minuto Transporte: 76 m (250 pies) por minuto
ANCHO DEL RECORRIDO DE LIMPIEZA	559 mm (22 pul.)
SISTEMA PROPULSOR	Eje transversal, 24 V, 104 W
MOTOR DEL CEPILLO	Dos 24V, 17A, .625 HP, 700 RPM
MOTOR DE ASPIRACION	Dos 24 VCC, 21 A, 535VAT., 3-etapas, 145 mm (5.7 pul.)
ELEVACIÓN DE AGUA/ FLUJO DE AIRE	3050 mm (120 pul.) / 1.84 m3 (65 pies3) por minuto
BOMBA	24V, 4.5A, 6.9 bar (100 psi), 3.8 L (1 gal.) por minuto
VELOCIDAD DE FLUJO DE SOLUCION	Limpieza ReadySpace: 1.3 L (0.33 gal.) por minuto Limpieza de extracción restaurativa: 3.8 L (1 gal.) por minuto
BATERIAS	Cuatro de 6V de ciclo profundo
CAPACIDAD DE LA BATERIA	235 horas a capacidad de 20 horas
VOLTAJE CC	24 VCC
CONSUMO ELECTRICO TOTAL	65 Amp nominal
TIEMPO DE FUNCIONAMIENTO POR CARGA	Hasta 2.5 horas
CLASIFICACION NOMINAL DE DECIBELES AL OIDO DEL OPERADOR, BAJO TECHO:	72 dB(A)
CAPACIDAD MAXIMA DE SUBIDA	19% (11 grados) Transporte / 5% (3 grados) Limpieza

Las especificaciones y piezas están sujetas a cambio sin aviso previo.

DIMENSIONES DE LA MÁQUINA



**DIAGRAMA DE FLUJO DE SOLUCION
(DESPUÉS DEL NÚMERO DE SERIE 10314332)**

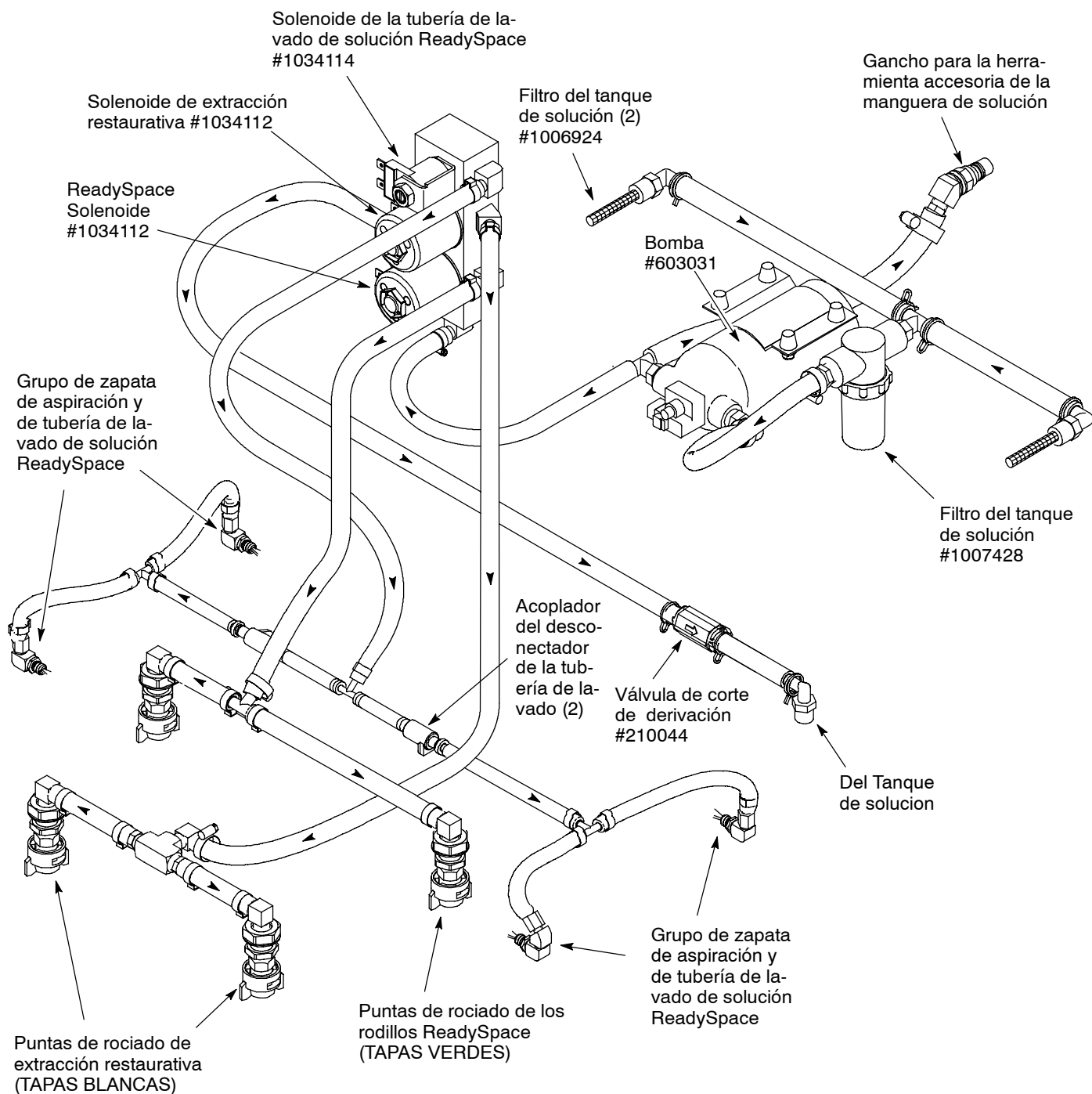
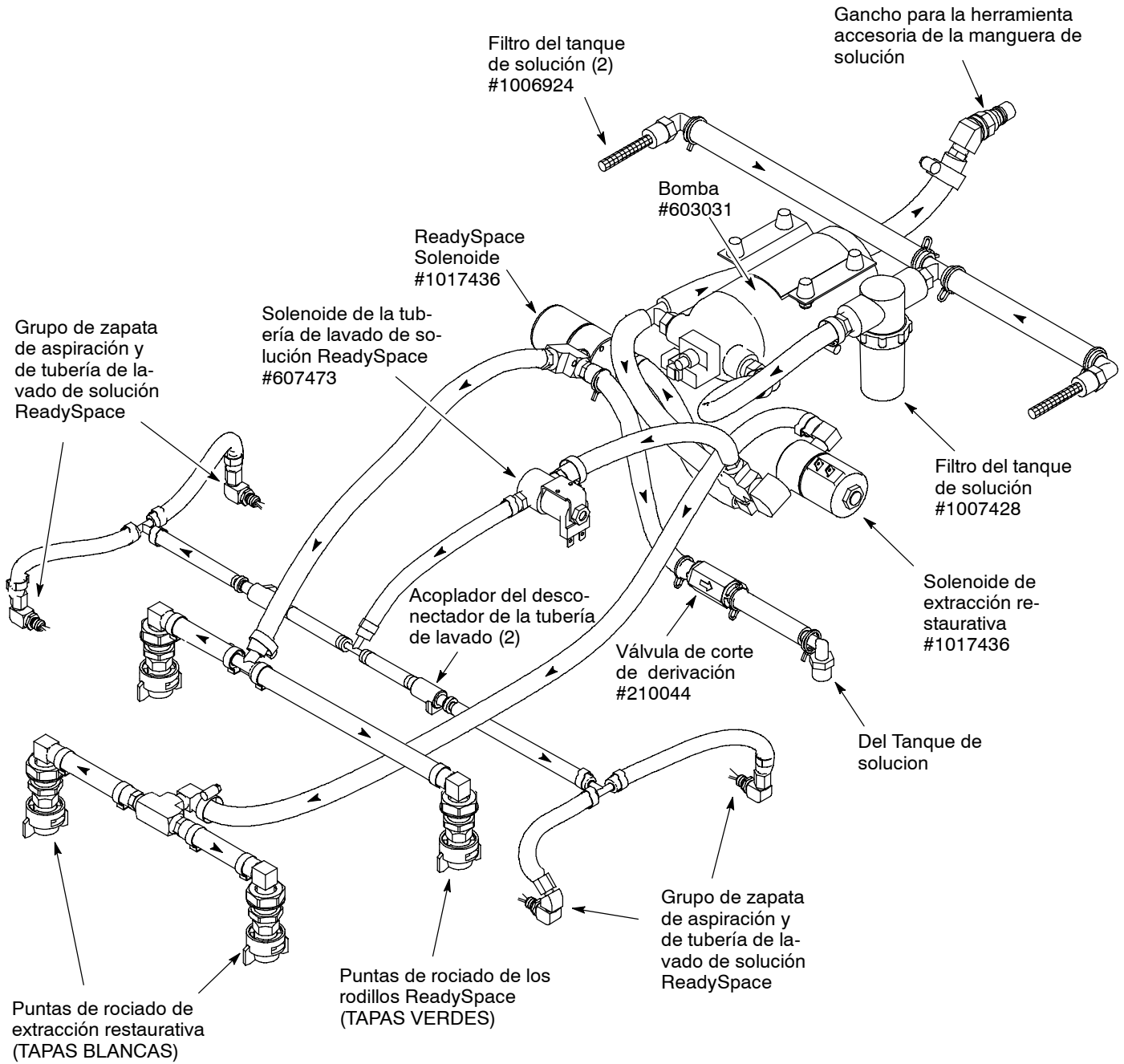


DIAGRAMA DE FLUJO DE SOLUCION (ANTES DEL NÚMERO DE SERIE 10314332)



FONCTIONNEMENT

Ce manuel est fourni avec chaque nouveau modèle. Il fournit les instructions nécessaires au fonctionnement et à l'entretien.

Lisez attentivement le manuel opérateur avant d'utiliser ou d'entretenir la machine.

Une liste complète de pièces détachées avec illustrations accompagne également chaque nouveau modèle. Utilisez la liste de pièces détachées pour commander des pièces de rechange. Afin de garantir une livraison rapide, suivez les instructions "COMMENT COMMANDER DES PIÈCES DÉTACHÉES" figurant dans le manuel des pièces détachées.

Cette machine vous fournira d'excellents services. Toutefois, vous obtiendrez les meilleurs résultats pour un prix de revient minimum si :

- La machine est manipulée avec un certain soin.
- La machine fait l'objet d'un entretien régulier conformément aux instructions d'entretien de ce manuel.
- L'entretien de la machine est effectué avec des pièces fournies par le fabricant ou des pièces équivalentes.

DONNÉES DE LA MACHINE

À remplir au moment de l'installation à titre de référence.

N° modèle - _____

Date d'installation - _____

N° de série - _____



PROTECTION DE L'ENVIRONNEMENT

Veillez éliminer les matériaux d'emballage, les composants d'anciennes machines comme les batteries, les fluides dangereux tels que l'antigel ou l'huile, d'une manière sûre au point de vue environnemental, suivant la réglementation locale en vigueur en matière d'élimination des déchets.

N'oubliez pas de toujours recycler.



TABLE DES MATIÈRES

MESURES DE SÉCURITÉ	63	VIDANGE DES RÉSERVOIRS	77
ÉTIQUETTES DE MISE EN GARDE	65	CHARGE DES BATTERIES	77
COMPOSANTS DE LA MACHINE	66	ENTRETIEN DE LA MACHINE	78
SYMBOLES DU PANNEAU DE CONTRÔLE ...	67	ENTRETIEN QUOTIDIEN	79
INSTALLATION DE LA MACHINE	68	ENTRETIEN HEBDOMADAIRE	80
DÉBALLAGE DE LA MACHINE	68	ENTRETIEN MENSUEL	81
INSTALLATION DES BATTERIES	68	ENTRETIEN DU MOTEUR	82
NETTOYAGE DOUBLE TECHNOLOGIE	69	ENTRETIEN DES BATTERIES	83
COMMENT FONCTIONNE LA DOUBLE		AMORCAGE DU SYSTEME DE SOLUTION	84
TECHNOLOGIE	69	LEVAGE DE LA MACHINE À L'AIDE	
MISE EN SERVICE DE LA MACHINE	70	D'UN CRIC	84
PRÉPARATION DE LA MACHINE POUR LE		TRANSPORT DE LA MACHINE	84
NETTOYAGE READYSpace	70	ENTREPOSAGE DE LA MACHINE	85
PRÉPARATION DE LA MACHINE POUR LE		ARTICLES DE STOCK RECOMMANDÉS	85
NETTOYAGE DE RESTAURATION PAR		DÉPISTAGE DES PANNES	86
EXTRACTION	71	CARACTERISTIQUES TECHNIQUES DE LA	
REMPLISSAGE DU RÉSERVOIR DE		MACHINE	89
SOLUTION	72	DIMENSIONS DE LA MACHINE	90
RÉGLAGE DE LA HAUTEUR DU PANNEAU DE		CIRCUIT DU DÉBIT DE SOLUTION	
CONTRÔLE	72	(APRÈS LE NUMÉRO DE SÉRIE 10314332) ..	90
FONCTIONNEMENT DE L'APPAREIL	72	CIRCUIT DU DÉBIT DE SOLUTION	
CONTRÔLES AVANT LA MISE EN		(AVANT LE NUMÉRO DE SÉRIE 10314332) ...	91
FONCTIONNEMENT	72		
FONCTIONNEMENT DE LA MACHINE	73		
PENDANT L'UTILISATION DE LA MACHINE	74		
ACCESSOIRE DE NETTOYAGE (OPTION) .	75		
UTILISATION DES ACCESSOIRES :	75		
COUPE-CIRCUITS DE LA MACHINE	76		
COMPTEUR HORAIRE	76		

MESURES DE SÉCURITÉ

Cette machine est conçue pour un usage commercial. Elle est destinée exclusivement au nettoyage des moquettes et tissus d'ameublement dans un environnement intérieur et ne convient pas à un quelconque autre usage. Utilisez uniquement des accessoires et des produits nettoyants pour moquettes disponibles dans le commerce, prévus pour l'utilisation de la machine.

Tous les opérateurs sont tenus de lire et comprendre les consignes de sécurité suivantes et de se familiariser avec celles-ci.

Le symbole de mise en garde suivant et l'en-tête « POUR VOTRE SECURITE » sont utilisés tout au long de ce manuel comme indiqué dans leur description :

 **MISE EN GARDE** : identifie la présence de dangers ou les opérations dangereuses susceptibles de blesser grièvement ou de provoquer la mort.

POUR VOTRE SECURITÉ : identifie les instructions qui doivent être suivies afin de garantir la sécurité lors de l'utilisation de l'équipement.


Le fait de ne pas respecter ces avertissements peut entraîner des blessures, un choc électrique, un incendie ou une explosion.

 **MISE EN GARDE** : danger d'incendie ou d'explosion :

- N'utilisez jamais de liquides inflammables ou n'utilisez pas la machine dans ou près de liquides ou vapeurs inflammables ou de poussières combustibles.

Cette machine n'est pas équipée de moteurs protégés contre les explosions. Les moteurs électriques émettent des étincelles au moment du démarrage et pendant leur fonctionnement, ce qui peut entraîner un incendie instantané ou une explosion si la machine est utilisée dans une zone où des vapeurs/liquides inflammables ou des poussières combustibles, sont présents.

- Ne ramassez pas de matériaux inflammables ou de métaux réactifs.
- Les batteries émettent du gaz hydrogène. Evitez toute étincelle et toute flamme nue à proximité des batteries. Laissez ouvert le compartiment des batteries pendant la mise en charge.

 **MISE EN GARDE** : danger de choc électrique. Débranchez les câbles de la batterie avant l'entretien ou la réparation de la machine.

 **MISE EN GARDE** : Point de coincement du vérin. Restez hors de portée de la zone de levage de la tête.

Les signaux d'information ci-après indiquent les situations potentiellement dangereuses pour l'opérateur ou l'équipement :

POUR VOTRE SECURITÉ :

1. N'utilisez pas la machine :
 - avec des liquides inflammables ou près de vapeurs inflammables, afin d'éviter le risque d'explosion ou d'incendie instantané.
 - Si vous n'y êtes pas formé et autorisé.
 - Avant d'avoir lu et compris le manuel opérateur.
 - Si elle n'est pas en bon état de marche.
2. Avant d'utiliser la machine :
 - Assurez-vous que tous les dispositifs de sécurité se trouvent à leur place et fonctionnent correctement.
 - Placez les signes SOL HUMIDE si nécessaire.
3. Lors de l'utilisation de la machine :
 - Roulez lentement sur les pentes et sur les surfaces glissantes.
 - Soyez prudent lorsque vous utilisez la machine en marche arrière.
 - Signalez immédiatement tout dommage occasionné à la machine ou tout mauvais fonctionnement.
 - Empêchez les enfants de jouer à proximité de la machine.
 - Suivez les instructions de mélange et de manipulation indiquées sur les conteneurs chimiques.
4. Avant de quitter ou d'entretenir la machine :
 - Arrêtez la machine sur une surface horizontale.
 - Coupez le contact de la machine.
 - Engagez le frein parking, si la machine est équipée de cette option.

5. Lors de l'entretien de la machine :

- Évitez les pièces mobiles. Ne portez pas de veste ou de chemise large ou de manches amples.
- Déconnectez les cosses des batteries avant de travailler sur la machine.
- Portez des gants et des lunettes de protection lorsque vous maniez les batteries ou les câbles de batteries.
- Évitez tout contact avec l'acide des batteries.
- Bloquez les roues de la machine avant de la soulever avec un cric.
- Utilisez le cric uniquement aux endroits désignés à cet effet. Bloquez la machine avec les positions de cric.
- Utilisez un levier ou cric pouvant supporter le poids de la machine.
- N'utilisez pas de jet de pression sur la machine. Un dysfonctionnement électrique risque de se produire.
- Utilisez des pièces de rechanges fournies ou agréées par le fabricant.
- Toutes les réparations doivent être effectuées uniquement par un technicien qualifié.
- Ne modifiez pas le design d'origine de la machine.

6. Lors du transport de la machine :

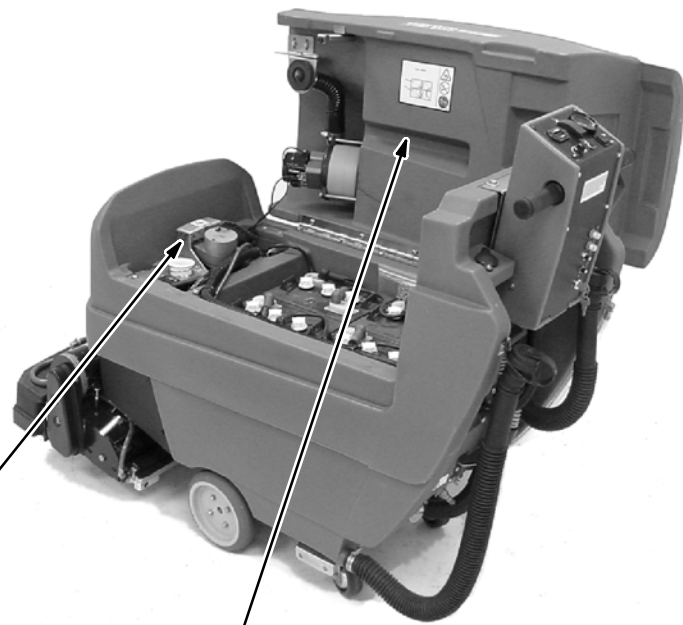
- Coupez le contact de la machine.
- Lorsque vous chargez la machine sur le camion ou la remorque ou lorsque vous la déchargez, utilisez une rampe recommandée.
- Utilisez des sangles pour arrimer la machine sur le camion ou la remorque.
- Placez la tête de brossage en position basse.

ÉTIQUETTES DE MISE EN GARDE

Les étiquettes de mise en garde se trouvent sur la machine aux endroits indiqués. Remplacez les étiquettes lorsqu'elles sont endommagées ou qu'elles deviennent illisibles.

ÉTIQUETTE MISE EN GARDE - Située Sur Le Couvercle Du Réservoir De Récupération.

	⚠ WARNING	⚠ AVERTISSEMENT	⚠ ADVERTENCIA
	EXPLOSION, FIRE AND SHOCK HAZARD. AVOID INJURY.	RISQUE D'EXPLOSION, D'INCENDIE ET DE DÉCHARGE. ÉVITEZ LES BLESSURES.	PELIGRO DE EXPLOSIÓN, FUEGO, DESCARGA EVITE LESIONES.
	• Do Not Use or Pick Up Flammable Materials.	• N'utilisez Pas ou Ne Ramassez Pas de Matériaux Inflammables.	• No Use Ó Recoja Materiales Flamables.
	• Do Not Use Near Flammable Liquids, Vapors or Combustible Dusts.	• N'utilisez Pas Près de Liquides, Vapeurs ou Poussières Inflammables.	• No Use Cerca De Líquidos Flamables, Vapores Ó Materiales Combustibles.
	• Keep Sparks and Open Flame Away When Charging Batteries. Keep Battery Hood Open When Charging.	• Éloignez les Sources d'Étincelles ou de Flamme Ouverte Lors du Chargement des Batteries. Laissez Ouvert le Capot du Compartiment des Batteries Lors de la Mise en Charge.	• Mantenga Chispas Y Fuego Alejados Mientras Carga Baterías. Mantenga Tapa De Batería Abierta Mientras Carga.
	• Disconnect Battery Cables and Charger Cord Before Servicing.	• Débranchez les Câbles de Batterie et la Cordon du Chargeur Avant l'Entretien.	• Desconecte Cable De Batería Y Cable Del Cargador Antes Del Mantenimiento.
			1026386



ÉTIQUETTE DANGER DE POINT DE COINCEMENT - Située sur la protection de la tête de brosse et à proximité de l'actionneur de levage de la tête de brosse.

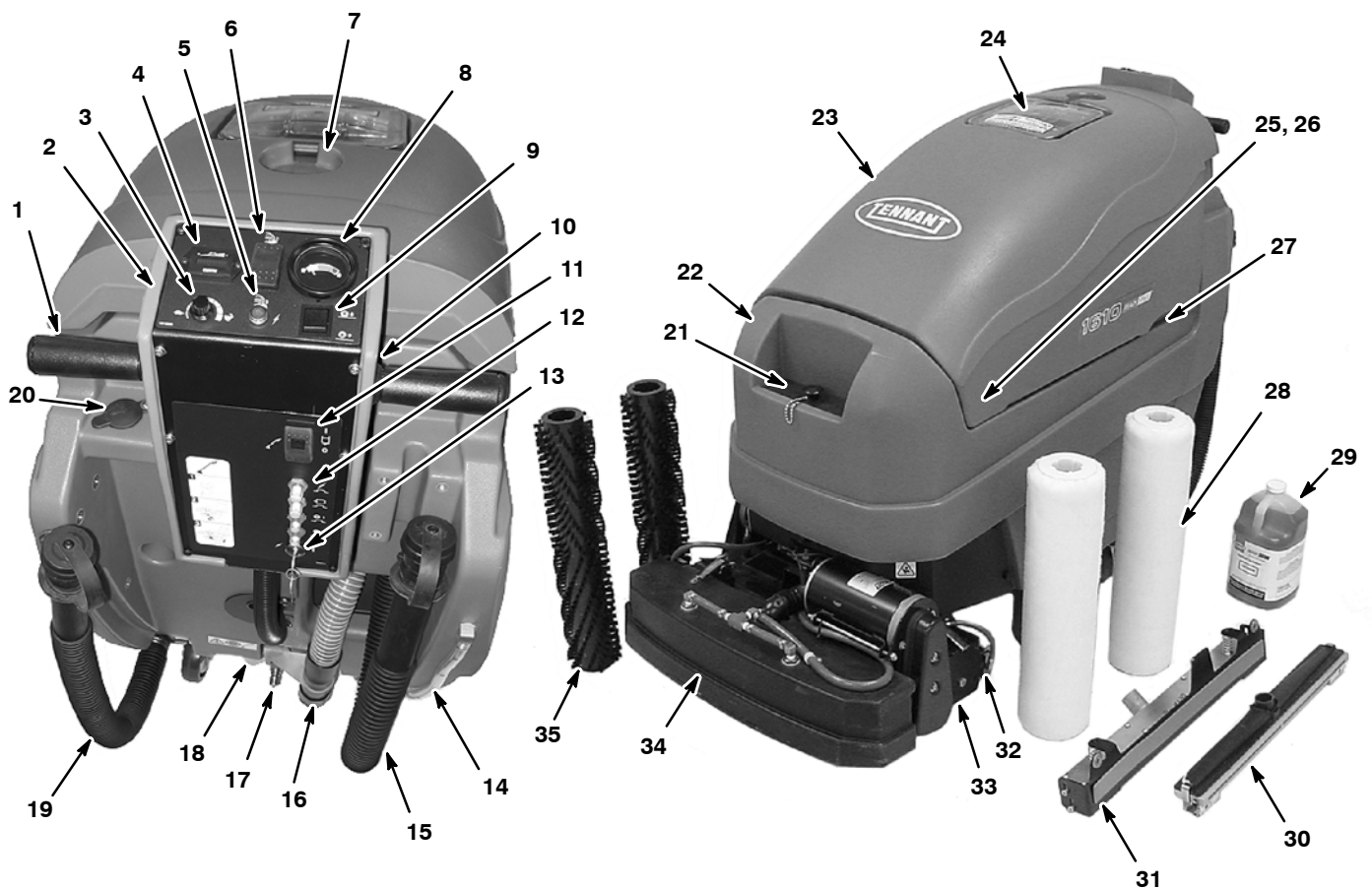
⚠ AVERTISSEMENT : danger de point de coincement. Éloignez-vous de la tête de brosse.



ÉTIQUETTE CHARGE DE BATTERIE - Située sur la face inférieure du réservoir de récupération.

⚠ AVERTISSEMENT : danger d'incendie ou d'explosion. Les batteries émettent du gaz hydrogène. Evitez toute étincelle et toute flamme nue à proximité des batteries. Laissez ouvert le compartiment des batteries pendant la mise en charge.

COMPOSANTS DE LA MACHINE



- | | |
|--|--|
| <ul style="list-style-type: none"> 1. Poignées de commande 2. Panneau de contrôle 3. Bouton de commande de la vitesse 4. Indicateur du niveau de charge des batteries 5. Voyant de l'alimentation principale 6. Bouton de levage/abaissement de la tête de brosse 7. Porte-bouteille 8. Indicateur de pression des brosses 9. Bouton de réglage de la pression des brosses 10. Levier de réglage de la hauteur du panneau de contrôle 11. Bouton On/Off de solution 12. Tableau des coupe-circuits 13. Interrupteur de contact à clé 14. Jauge visuelle du réservoir de solution 15. Tuyau de vidange du réservoir de récupération 16. Connecteur du tuyau d'aspiration 17. Raccord du tuyau du réservoir de solution | <ul style="list-style-type: none"> 18. Filtre du réservoir de solution 19. Tuyau de vidange du réservoir de solution 20. Orifice de remplissage arrière du réservoir de solution 21. Orifice de remplissage avant du réservoir de solution 22. Réservoir de solution 23. Réservoir de récupération 24. Couvercle du réservoir de récupération 25. Réceptacle de charge des batteries 26. Compteur horaire 27. Compartiment des batteries 28. Rouleaux ReadySpace 29. Détergent de pré-traitement ReadySpace 30. Sabot d'aspiration ReadySpace (2 fournis) 31. Sabot d'aspiration d'extracteur 32. Conduite de rinçage ReadySpace (2) 33. Tête de brosse 34. Protection du gicleur 35. Brosses d'extracteur |
|--|--|

FONCTIONNEMENT

SYMBOLES DU PANNEAU DE CONTRÔLE



Voyant de l'alimentation principale



Position de levage/transport de la tête de brossage



Coupe-circuit 10A de l'alimentation principale



Indicateur du niveau de charge des batteries



Position de nettoyage/abaissement de la tête de brossage



Coupe-circuit 17A du moteur de la brosse



Vitesse lente



Pression de brossage



Coupe-circuit 17A du moteur de la brosse



Distribution de la solution



Vitesse rapide



Manche hors passage (Accessoire)



Coupe-circuit 20A du moteur de propulsion

INSTALLATION DE LA MACHINE

DÉBALLAGE DE LA MACHINE

- Vérifiez soigneusement si le carton d'expédition ne présente pas de dommages. Signalez immédiatement tout dommage au transporteur.
- Vérifiez la liste du contenu du carton, contactez votre distributeur en cas d'éléments manquants.
Contenu :
 - Machine
 - 2 brosses d'extracteur
 - 2 rouleaux ReadySpace
 - 1 sabot d'aspiration d'extracteur
 - 2 sabots d'aspiration ReadySpace (installés)
 - 2 conduites de rinçage de tête de brosse (installées)
 - Tube d'aspiration de tête de brosse (installé)
 - Détergent de pré-traitement ReadySpace (4 l.)
 - Chargeur de batterie 24 CC/120 CA 20A (Option)
 - 4 batteries 6 V CC, 235AH (Option - Installées)
 - Chariot de batterie (installé)
 - 3 câbles de batterie 381 mm
 - 8 couvercles de cosses de batterie
 - 8 manchons en caoutchouc de câbles de batterie
 - 6mm hex être à la tête de ustensile
 - CD-ROM de formation de l'opérateur (Anglais) (#1019259)
- Pour déballer votre machine, retirez les matériaux d'expédition et les sangles qui fixent la machine sur la palette. Utilisez la rampe fournie et retirez la machine de la palette avec précaution. Veillez à ce que la tête de brosse soit en position relevée.

ATTENTION : Utilisez la rampe fournie lors du déballage de la machine pour éviter tout dommage de la machine.

INSTALLATION DES BATTERIES

⚠ MISE EN GARDE : Danger d'incendie ou d'explosion. Les batteries émettent du gaz hydrogène. Évitez toute étincelle et toute flamme nue à proximité des batteries. Laissez ouvert le capot du compartiment des batteries lors de la mise en charge.

POUR VOTRE SECURITÉ : Lorsque vous entretenez la machine, portez des gants et des lunettes de protection quand vous maniez les batteries et les câbles de batterie. Évitez tout contact avec l'acide des batteries.

Spécifications de batterie recommandées :

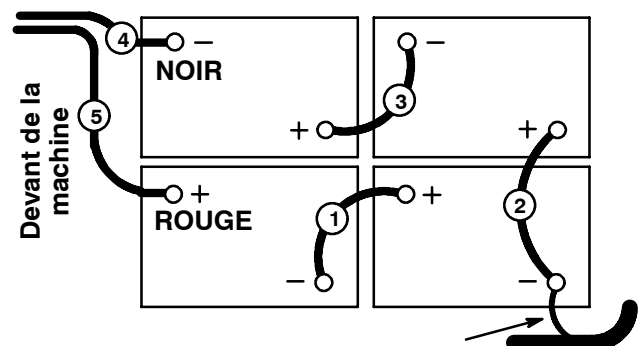
Quatre batteries 6 volts, cycle intensif, 235 AH. La dimension maximale des batteries est 181 mm (7.13 in) W x 260 mm (10.25 in) L x 292 mm (11.50 in) H.

- Arrêtez la machine sur une surface égale, coupez le contact et retirez la clé.
- Soulevez le réservoir de récupération pour accéder au compartiment de batteries (Figure 1). Enlevez les câbles des batteries du compartiment.



FIG. 1

- Placez avec précaution les batteries dans le support du compartiment de batteries et disposez les cosses des batteries comme illustré (Figure 2).



Branchez le câble #47 du faisceau de câbles de la machine.

FIG. 2

FONCTIONNEMENT

- Avant de connecter les câbles de batterie, veillez à ce que les bornes et les cosses soient propres. Si nécessaire, utilisez un nettoyant pour cosses et une brosse métallique.

REMARQUE : Appliquez une mince couche de graisse non métallique ou pulvérisez un produit de protection sur les connexions de câbles, afin d'empêcher la corrosion des batteries.

- Branchez les câbles sur les cosses des batteries dans l'ordre numérique indiqué (Figure 2), ROUGE SUR PLUS (+) et NOIR SUR MOINS (-). Utilisez les couvercles de cosses de batteries et les manchons de caoutchouc fournis.
- Après avoir installé les batteries, vérifiez le niveau de charge des batteries. La machine doit être en marche complète afin de garantir une mesure correcte (Voir FONCTIONNEMENT DE LA MACHINE). Si nécessaire, rechargez les batteries.

NETTOYAGE DOUBLE TECHNOLOGIE

La machine offre deux technologies de nettoyage, Restauration par extraction et Transfert de saletés par extraction, désignées sous le nom de ReadySpace. Ces deux technologies vous permettent d'élaborer aisément un programme de nettoyage afin d'accroître fortement la durée de vie de votre moquette. Il vous suffit de changer un sabot d'aspiration et deux rouleaux ou brosses pour passer d'une technologie à l'autre.

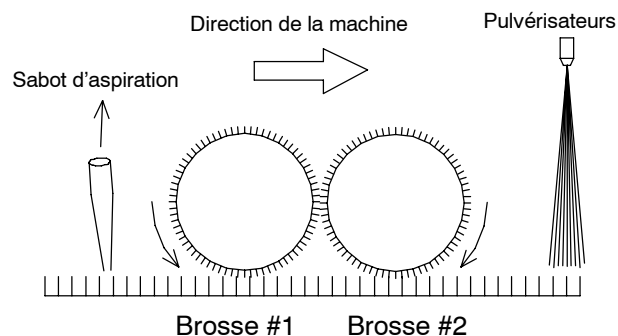
Restauration par extraction : Utilisez périodiquement cette technologie pour nettoyer soigneusement la base de la moquette. Le nombre et le type de passages sont des facteurs importants, qui déterminent la fréquence à laquelle la restauration par extraction doit être effectuée. Ce type de nettoyage doit être programmé à l'avance afin de laisser suffisamment de temps à la moquette extraite pour sécher.

ReadySpace : Utilisez cette technologie pour nettoyer quotidiennement les saletés visibles ou pour maintenir un haut niveau de propreté de la moquette, si nécessaire. ReadySpace peut être utilisé pendant les heures normales d'ouverture car la moquette est souvent sèche en moins de 30 minutes. Le temps de séchage peut varier en fonction du type de moquette et des conditions climatiques.

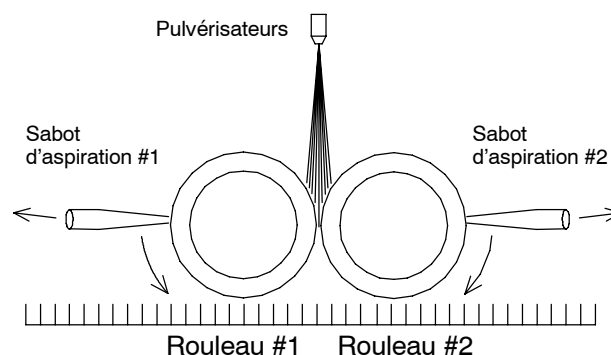
REMARQUE : Avant d'utiliser ReadySpace, utilisez d'abord la restauration par extraction si les moquettes sont très sales. Puis, lancez votre programme de nettoyage ReadySpace.

COMMENT FONCTIONNE LA DOUBLE TECHNOLOGIE

Restauration par extraction : L'eau chaude et le détergent de nettoyage du réservoir de solution sont directement pulvérisés sur la moquette. Lorsque la machine avance, deux brosses à chevron à rotation inverse agitent la solution en profondeur dans la moquette. Lorsque la machine continue d'avancer, le sabot d'aspiration récupère la solution sale de la moquette.



ReadySpace : Le détergent de nettoyage est pré-pulvérisé sur la moquette à l'aide d'un pulvérisateur de pompage. Après avoir laissé le détergent agir pendant 5 à 10 minutes, la machine est alors activée. L'eau chaude est directement pulvérisée sur les rouleaux en fibres de nylon à rotation inverse, et non sur la moquette. Puis, une bonne partie de l'eau est récupérée des rouleaux à l'aide de deux sabots d'aspiration, laissant les rouleaux humides. Les rouleaux humides agitent alors la moquette, travaillant sur les deux côtés de la fibre de moquette et transférant dans le même temps les saletés vers les rouleaux. Une eau de rinçage chaude est à nouveau pulvérisée sur les rouleaux sales, ce qui permet aux deux sabots d'aspiration d'extraire facilement les saletés des rouleaux.



MISE EN SERVICE DE LA MACHINE

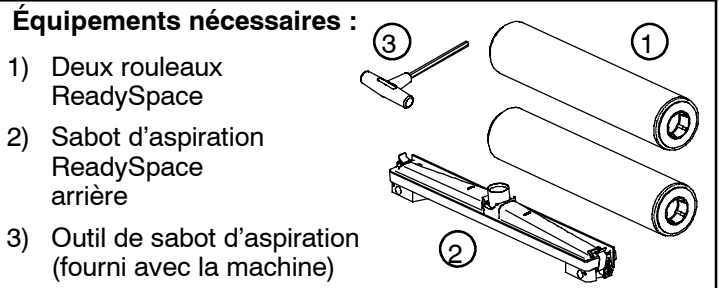
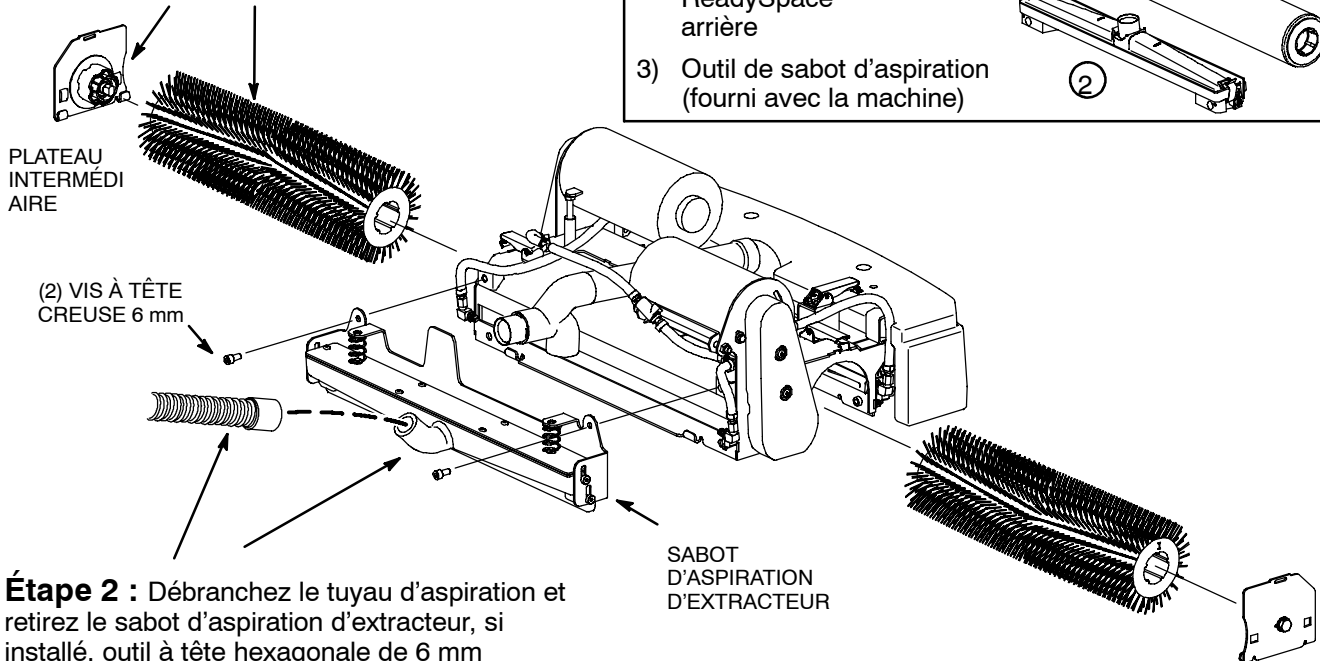
PRÉPARATION DE LA MACHINE POUR LE NETTOYAGE READYSpace

POUR VOTRE SECURITÉ : Avant de préparer la machine, coupez le contact et retirez la clé.

Étape 1 : Déverrouillez les plateaux intermédiaires et retirez les deux brosses d'extracteur, si installées.

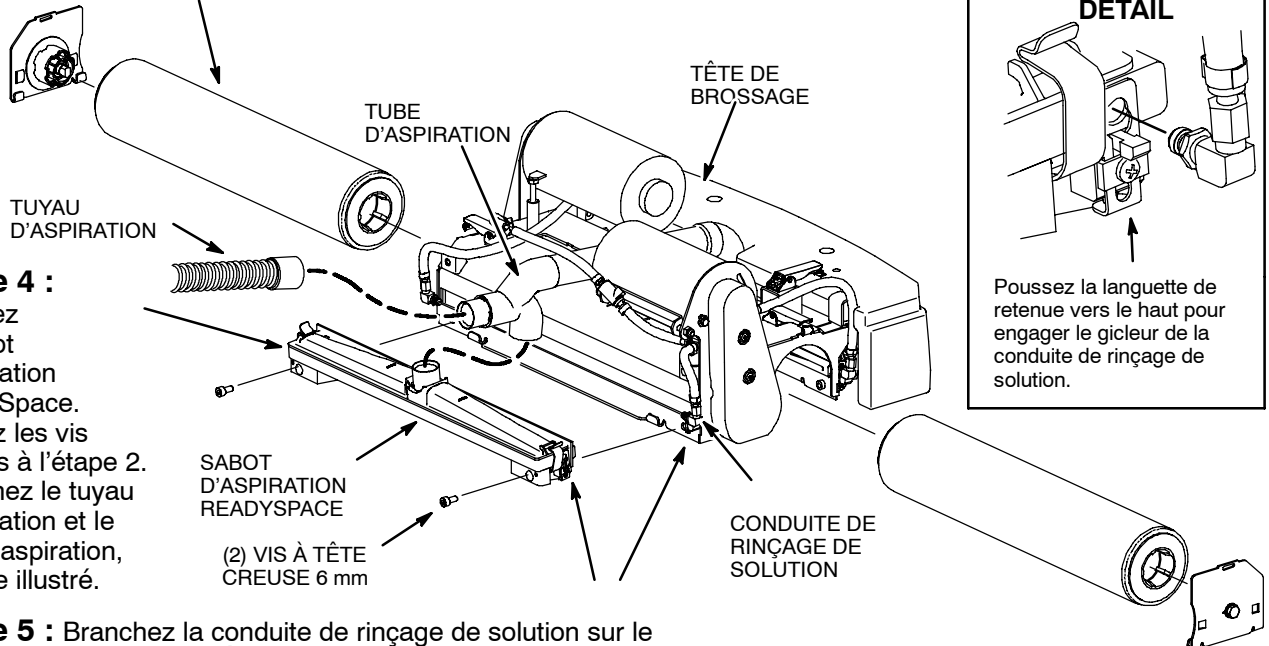
Équipements nécessaires :

- 1) Deux rouleaux ReadySpace
- 2) Sabot d'aspiration ReadySpace arrière
- 3) Outil de sabot d'aspiration (fourni avec la machine)

Étape 2 : Débranchez le tuyau d'aspiration et retirez le sabot d'aspiration d'extracteur, si installé. outil à tête hexagonale de 6 mm nécessaire.

Étape 3 : Installez les deux rouleaux ReadySpace.



Étape 4 : Installez le sabot d'aspiration ReadySpace. Utilisez les vis retirées à l'étape 2. Branchez le tuyau d'aspiration et le tube d'aspiration, comme illustré.

Étape 5 : Branchez la conduite de rinçage de solution sur le sabot d'aspiration (Voir DÉTAIL). Répétez la procédure pour le côté opposé.

PRÉPARATION DE LA MACHINE POUR LE NETTOYAGE DE RESTAURATION PAR EXTRACTION

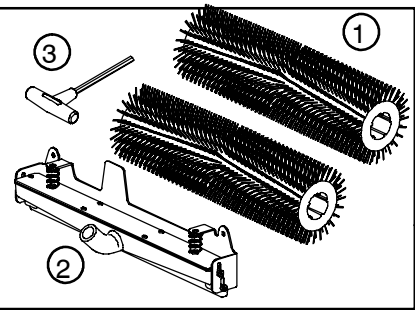
POUR VOTRE SECURITÉ : Avant de préparer la machine, coupez le contact et retirez la clé.

Étape 1 : Déverrouillez les plateaux intermédiaires et retirez les deux rouleaux ReadySpace, si installés.

PLATEAU INTERMÉDIAIRE

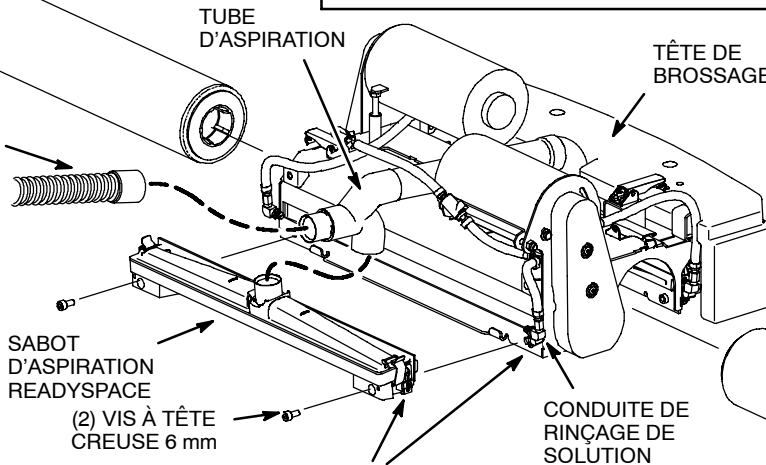
Équipements nécessaires :

- 1) Deux brosses d'extracteur
- 2) Sabot d'aspiration d'extracteur
- 3) Outil de tête de sabot d'aspiration (fourni avec la machine)

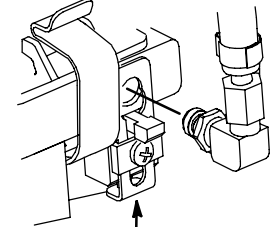


Étape 2 :

Débranchez le tuyau d'aspiration et le tube d'aspiration du sabot d'aspiration ReadySpace arrière, si installé.



DÉTAIL A



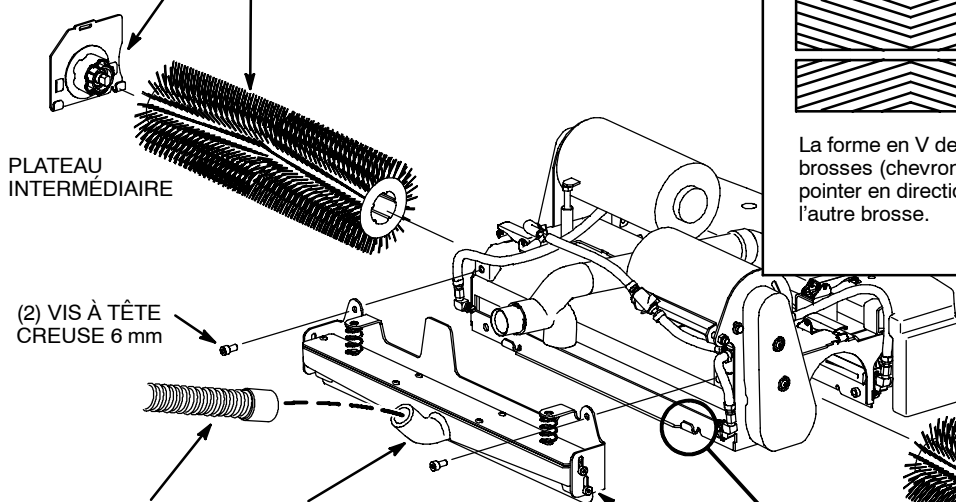
Poussez la languette de retenue vers le haut pour désengager le gicleur de la conduite de rinçage de solution.

Étape 3 : Débranchez les conduites de rinçage de solution du sabot d'aspiration arrière (Voir DÉTAIL A).

REMARQUE : Afin d'éviter tout défaut de positionnement, ne retirez PAS les conduites de rinçage de solution et le tube d'aspiration hors service de la tête de brossage.

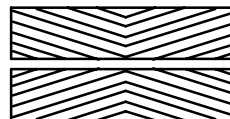
Étape 4 : Retirez le sabot d'aspiration ReadySpace. outil à tête hexagonale de 6 mm nécessaire.

Étape 5 : Installez les deux brosses d'extracteur (Voir DÉTAIL B).

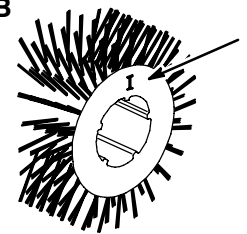


DÉTAIL B

VUE DE DESSUS



La forme en V des brosses (chevron) doit pointer en direction de l'autre brosse.



REMARQUE : "I" indique l'extrémité du plateau intermédiaire.

Étape 6 : Installez le sabot d'aspiration d'extracteur. Assurez-vous que le sabot est positionné derrière les deux languettes d'appui. Utilisez les vis retirées à l'étape 4. Branchez le tuyau d'aspiration sur le sabot d'aspiration d'extracteur, comme illustré.

SABOT D'ASPIRATION D'EXTRACTEUR

LANGUETTES D'APPUI (2)

REPLISSAGE DU RÉSERVOIR DE SOLUTION

La machine peut être remplie de l'arrière, à l'aide de l'orifice de remplissage au tuyau, ou de l'avant à l'aide de l'orifice de remplissage au seau (Figure 3).

REMARQUE : Lorsque vous remplissez le réservoir de solution avec un seau, assurez-vous que le seau est propre. N'utilisez pas le même seau pour remplir et pour vider la machine.

Remplissez le réservoir de solution jusqu'au repère 75 litres avec de l'eau chaude, 60°C (140°F) maximum (Figure 3).

POUR LE NETTOYAGE DE RESTAURATION PAR EXTRACTION : Versez un détergent de nettoyage recommandé dans le réservoir de solution. Suivez les instructions de mélange indiquées sur la bouteille.

POUR LE NETTOYAGE READYSACE : N'ajoutez pas de détergents de nettoyage d'extracteur dans le réservoir de solution. Le détergent de nettoyage doit être prépulvérisé sur la moquette à l'aide d'un pulvérisateur de pompage (Figure 3).

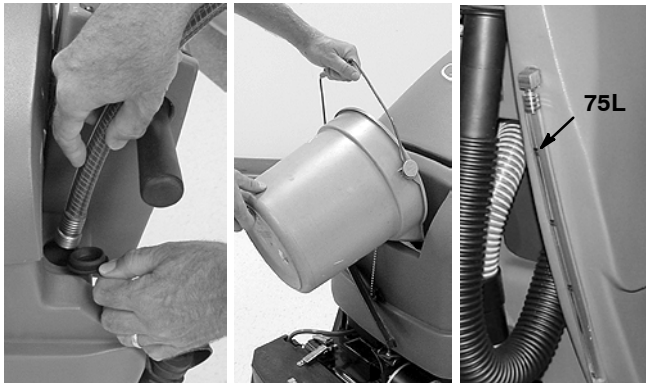


FIG. 3

ATTENTION : Lorsque vous utilisez la machine pour le nettoyage de restauration par extraction, utilisez uniquement les détergents de nettoyage recommandés dans le réservoir de solution. Un endommagement de la machine dû à l'utilisation d'un détergent inapproprié, entraînera l'annulation de la garantie.

⚠ MISE EN GARDE : Danger d'incendie ou d'explosion. N'utilisez jamais de liquides inflammables.

RÉGLAGE DE LA HAUTEUR DU PANNEAU DE CONTRÔLE

Tirez le levier de réglage de la hauteur du panneau et levez ou abaissez le panneau afin d'obtenir une hauteur de manipulation confortable. Relâchez le levier pour verrouiller la position (Figure 4).



FIG. 4

FONCTIONNEMENT DE L'APPAREIL

POUR VOTRE SÉCURITÉ : N'utilisez pas la machine avant d'avoir lu et compris le manuel opérateur.

CONTRÔLES AVANT LA MISE EN FONCTIONNEMENT

REMARQUE : Consultez la section *ENTRETIEN DE LA MACHINE* pour de plus amples détails.

- Aspirez le sol et éliminez les débris.
- Contrôlez l'indicateur du niveau de charge des batteries.
- Nettoyage ReadySpace : Vérifiez l'usure des rouleaux.
- Vérifiez si la forme de jet des pulvérisateurs est correcte.
- Nettoyage ReadySpace : Vérifiez si les sabots d'aspiration des rouleaux comportent des débris.
- Assurez-vous que le filtre d'arrêt à flotteur du réservoir de récupération est propre.
- Nettoyage ReadySpace : Assurez-vous que le réservoir de solution est rempli d'eau uniquement, et non de détergents de nettoyage.
- Nettoyage de restauration par extraction : Vérifiez la pression du jet au niveau des gicleurs. Le système de solution nécessite peut-être un amorçage (Voir *AMORCAGE DU SYSTEME DE SOLUTION*).

FONCTIONNEMENT

FONCTIONNEMENT DE LA MACHINE

Avant le nettoyage ReadySpace, pulvérisez la moquette avec le détergent ReadySpace de pré-traitement en vous conformant aux instructions figurant sur le flacon (Figure). Laissez agir le détergent pendant 5 à 10 minutes.

REMARQUE : La formule du détergent de pré-traitement ReadySpace a été conçu spécialement pour le nettoyage ReadySpace. L'utilisation d'un détergent de pré-traitement autre que spécifié peut entraîner des performances.



FIG. 5

1. Tournez la clé et le bouton de distribution de solution en position on (I) (Figure 6).

REMARQUE : Les machines dont le numéro de série est antérieur à 10243221, ne sont pas équipées du commutateur de distribution de solution. Pour installer un commutateur marche/arrêt de distribution de solution, commandez l'article de lot numéro 9001593.

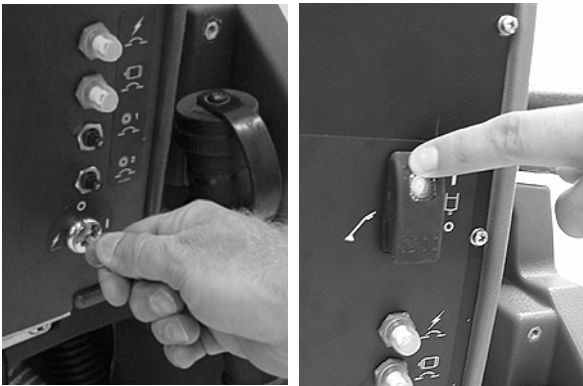


FIG. 6

2. Abaissez la tête de brossage en appuyant sur le bouton de la tête de brossage (Figure 7).

REMARQUE : Si la machine est configurée pour un nettoyage ReadySpace, un processus d'amorçage de 20 secondes démarre automatiquement la pulvérisation de la solution lorsque la tête de brossage est abaissée.



FIG. 7

3. Pour démarrer le nettoyage, tournez les poignées de commande vers l'avant et tournez le bouton de réglage de la vitesse en fonction de la vitesse de nettoyage recommandée (Figure 8).

Nettoyage ReadySpace : 30 m (100 ft.) par minute.

Nettoyage de restauration par extraction : 15 m (100 ft.) par minute.

REMARQUE : Les poignées de commande activent l'entraînement, les brosses et le débit de distribution de la solution.



FIG. 8

Pour faire fonctionner la machine en marche arrière, tournez simplement les poignées de commande vers l'arrière. La machine continue le nettoyage en marche arrière pendant le nettoyage ReadySpace. Ceci vous permet de nettoyer en marche arrière sur des sols très sales, dans les coins et les espaces confinés. Lors du réglage de la marche arrière pendant la restauration par extraction, la tête de brossage se soulève et le nettoyage s'arrête.

- Réglez l'appareil de mesure de la pression des brosses. Pour obtenir d'excellents résultats de nettoyage, réglez l'appareil de mesure de la pression des brosses dans la zone verte comme illustré (Figure 9).

ATTENTION : Ne faites pas fonctionner la machine avec l'appareil de mesure de la pression des brosses dans la zone rouge, car ceci peut déclencher les coupe-circuits.

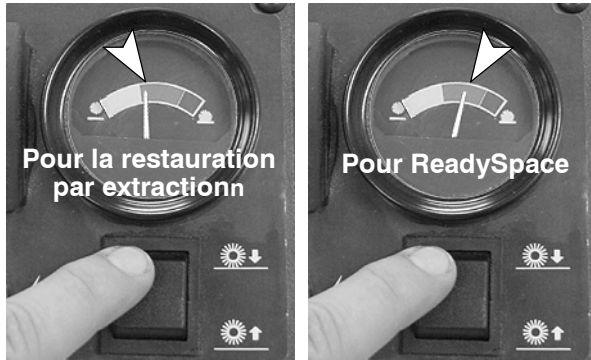


FIG. 9

- Pour arrêter la machine, positionnez la machine sur une surface plane et relâchez progressivement les poignées de commande.
- Après le nettoyage de restauration par extraction, placez les appareils de ventilation dans la zone afin de réduire le temps de séchage.
- Effectuez les procédures d'ENTRETIEN QUOTIDIEN DE LA MACHINE.

PENDANT L'UTILISATION DE LA MACHINE

⚠ MISE EN GARDE : Danger d'incendie ou d'explosion. Ne ramassez pas de matériaux inflammables ou de métaux réactifs.

- Chevauchez chaque trace de nettoyage de 50 mm (2 in).
- Utilisez une forme en rectangle lors du nettoyage de pièces plus grandes (Figure 10).

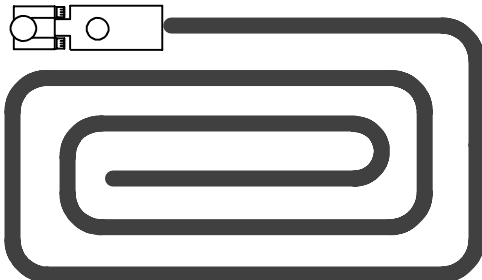


FIG. 10

- Nettoyage de restauration par extraction : Tournez le bouton de distribution de la solution en position off en cas de virage à 180° et juste avant de s'arrêter. Ceci empêche tout oubli de récupération de solution sur le sol.
- En cas de formation importante de mousse dans le réservoir de récupération, versez un désémulsifiant recommandé dans le réservoir.

ATTENTION : Veillez à ne pas laisser pénétrer de mousse dans le filtre d'arrêt à flotteur, afin d'éviter l'endommagement du moteur de l'extracteur. La mousse n'active pas le filtre d'arrêt à flotteur.

- Ne faites pas fonctionner la machine sur des surfaces inclinées de plus de 3° lors du nettoyage ou de 11° lors du transport.

POUR VOTRE SÉCURITÉ : Lors de l'utilisation de la machine, roulez lentement sur les pentes et sur les surfaces glissantes.

- Vérifiez le niveau de l'indicateur de charge des batteries (Figure 11). Si l'indicateur commence à clignoter, arrêtez le brossage et transportez la machine dans la zone de rechargement. Si les deux témoins commencent à clignoter en alternance, la fonction de nettoyage est automatiquement arrêtée et la tête de brossage se lève en position de transport. Ceci permet de protéger les batteries contre un déchargement total. Rechargez immédiatement les batteries.

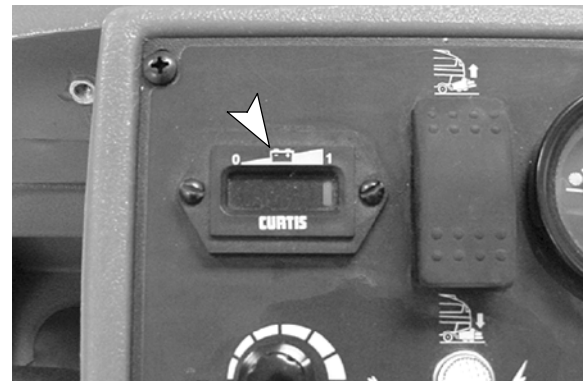


FIG. 11

7. Observez le niveau du réservoir de solution (Figure 12). Ne laissez pas le réservoir de solution vide lors du nettoyage de restauration par extraction. Si tel est le cas, le système de solution doit être réamorcé (Voir AMORCAGE DU SYSTEME DE SOLUTION).



FIG. 12

8. Avant de laisser la machine sans surveillance, gardez-la sur une surface horizontale et retirez la clé.

ACCESSOIRE DE NETTOYAGE (OPTION)

Les accessoires en option vous permettent de nettoyer les tissus d'ameublement et les moquettes que la machine ne peut pas atteindre, comme les alcôves, les escaliers, les coins et les petites pièces.

Préparation de la machine pour l'accessoire de nettoyage :

1. Arrêtez la machine sur une surface plane et coupez le contact.
2. Branchez le tuyau de solution de l'accessoire sur le raccord situé à l'arrière de la machine (Figure 13).

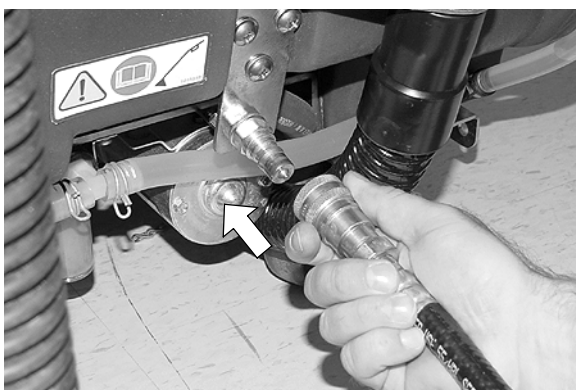


FIG. 13

3. Débranchez le tuyau d'aspiration inférieur de la machine et remplacez-le par le tuyau d'aspiration de l'accessoire (Figure 14).

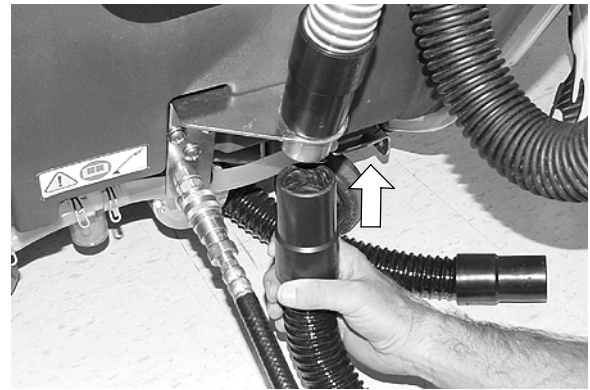


FIG. 14

4. Fixez l'accessoire sur les tuyaux.

Utilisation des accessoires :

1. Tournez la clé en position on (I).
2. Enfoncez le bouton de solution vers le symbole de l'accessoire, position off (O) (Figure 15).

REMARQUE : Si vous devez déplacer la machine alors que vous utilisez l'accessoire, vous devez tourner le bouton de solution en position on pour activer le dispositif d'entraînement. Ceci s'applique uniquement lorsque la machine est configurée pour le nettoyage ReadySpace.

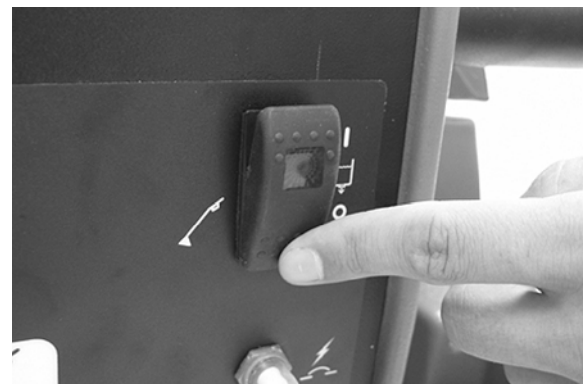


FIG. 15

3. Abaissez la tête de brossage pour activer l'aspiration (Figure 16).



FIG. 16

4. Placez l'accessoire dans la zone à nettoyer. Appuyez sur le déclencheur situé sur l'accessoire et tirez doucement celui-ci tout en appliquant une pression descendante (Figure 17). Relâchez la gâchette 15 cm avant la fin de course. Lors du retour à la course suivante, enfoncez l'accessoire sur la même trace avec le déclencheur relâché. Poursuivez cette méthode tirer-pousser avec un chevauchement de 50 à 100 mm (2-4 in).

REMARQUE : Lorsque vous nettoyez des tissus d'ameublement, vérifiez toujours les instructions de nettoyage du fabricant cousues dans le meuble.

⚠ MISE EN GARDE : Danger d'incendie ou d'explosion. Ne ramassez pas de matériaux inflammables ou de métaux réactifs.



FIG. 17

5. Après le nettoyage, réduisez la pression d'eau dans l'accessoire, avant de débrancher le tuyau de solution. Appuyez sur le déclencheur pendant cinq secondes après avoir coupé l'alimentation.

COUPE-CIRCUITS DE LA MACHINE

La machine est équipée de quatre coupe-circuits autoréarmables pour éviter tous dommages. Si un coupe-circuit se déclenche pendant le fonctionnement, déterminez la cause, laissez refroidir le moteur, puis réenclenchez manuellement le bouton du coupe-circuit. Le tableau des coupe-circuits se trouve à l'arrière de la machine (Figure 18).

Coupe-circuit principal 10A

Coupe-circuit du moteur d'entraînement 20A

Coupe-circuit #1 du moteur de brosse 17A

Coupe-circuit #2 du moteur de brosse 17A



FIG. 18

Les deux moteurs d'aspiration sont protégés par un fusible de 30A. Les fusibles sont situés dans le faisceau de câbles qui est relié à chaque moteur d'aspiration. Lorsque vous remplacez un fusible, n'utilisez jamais un fusible d'une capacité supérieure à la capacité spécifiée (Réf. 768688 - Fusible, 30A).

POUR VOTRE SÉCURITÉ : Lors du dépannage de la machine, toutes les réparations doivent être effectuées uniquement par un technicien qualifié.

COMPTEUR HORAIRE

Le compteur horaire enregistre le nombre total d'heures d'activité des moteurs de brosses. Utilisez le compteur horaire pour déterminer quand effectuer les procédures d'entretien recommandées et pour enregistrer l'historique des opérations d'entretien (Figure 19).

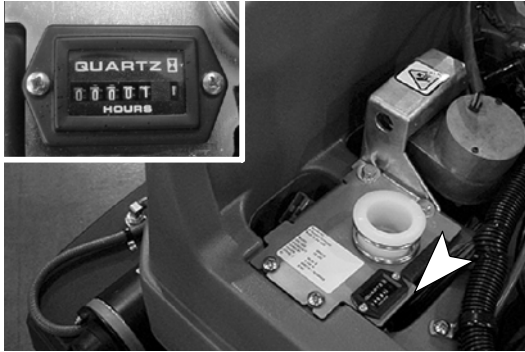


FIG. 19

VIDANGE DES RÉSERVOIRS

Vidangez et rincez les réservoirs après chaque utilisation. Les placards avec des bouches d'égoût sont mieux adaptés pour l'élimination des eaux usées. Utilisez un seau de 19L en cas d'absence de bouche d'égoût.

1. Levez la tête de brosse en position de transport et transportez la machine vers un site de vidange. Tournez la clé en position OFF.
2. Retirez le bouchon du tuyau de vidange et abaissez doucement le tuyau sur le site de vidange (Figure 20). Soulevez le tuyau pour arrêter le débit. Le tuyau de vidange du réservoir de récupération est situé sur le côté droit et celui du réservoir de solution sur le côté gauche.

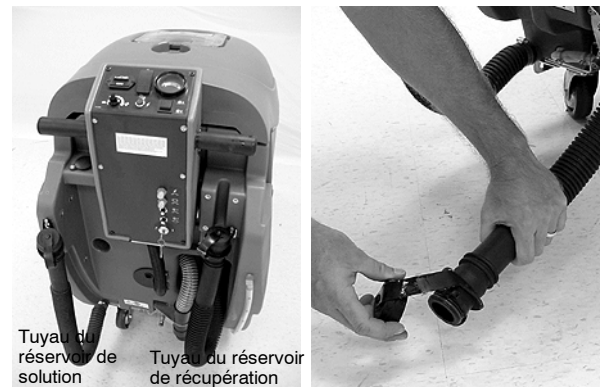


FIG. 20

REMARQUE : Si vous utilisez un seau pour vidanger le réservoir de récupération, n'employez pas le même seau pour remplir le réservoir de solution.

3. Rincez le réservoir de récupération et le filtre d'arrêt à flotteur avec de l'eau propre (Figure 21).

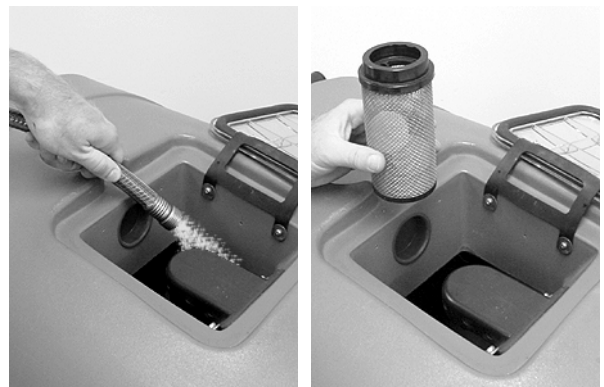


FIG. 21

4. Remettez en place les bouchons des tuyaux de vidange après la vidange.

CHARGE DES BATTERIES

ATTENTION : Pour prolonger la durée de vie des batteries et obtenir des performances optimales, rechargez les batteries UNIQUEMENT après une durée d'utilisation totale de 30 minutes ou plus. Ne laissez jamais les batteries se décharger sur de longues périodes.

INDICATEUR DE NIVEAU DES BATTERIES :

Lorsque l'indicateur de niveau des batteries de la machine commence à clignoter, arrêtez le brossage et rechargez les batteries. Si les deux témoins commencent à clignoter en alternance, la fonction de nettoyage est automatiquement arrêtée et la tête de brossage se lève en position de transport. Ceci permet de protéger les batteries contre un déchargement total.

Les instructions de mise en charge ci-dessous sont destinées uniquement aux chargeurs de batteries fournis avec la machine. Utilisez uniquement un chargeur de batterie ayant les caractéristiques ci-dessous, afin d'éviter l'endommagement des batteries.

SPÉCIFICATIONS DU CHARGEUR DE BATTERIES:

- TENSION DE SORTIE 24 VOLTS
- COURANT DE SORTIE 20 AMPÈRES
- CIRCUIT DE COUPURE AUTOMATIQUE
- POUR LA MISE EN CHARGE DE BATTERIES À CYCLE INTENSIF

1. Transportez la machine dans un endroit bien aéré pour recharger les batteries.

⚠ MISE EN GARDE : Danger d'incendie ou d'explosion. Les batteries émettent du gaz hydrogène. Évitez toute étincelle et toute flamme nue à proximité des batteries. Laissez ouvert le compartiment des batteries pendant la mise en charge.

2. Arrêtez la machine sur une surface horizontale, et tournez la clé de contact en position OFF.
3. Avant de mettre en charge les batteries, vérifiez périodiquement le niveau d'électrolyte dans chaque élément de batterie (Figure 22).

Le niveau d'électrolyte (A) doit légèrement recouvrir les plaques de batteries (B). Ajoutez de l'eau distillée si nécessaire. **NE REMPLISSEZ PAS TROP**, le fluide va augmenter de volume et risque de déborder lors de la mise en charge. Remettez les bouchons sur les éléments, avant la mise en charge (Figure 22).

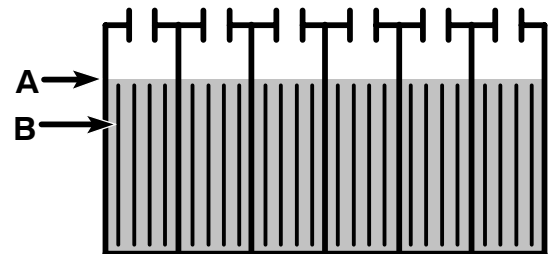


FIG. 22

POUR VOTRE SÉCURITÉ : Lorsque vous entretenez la machine, portez des gants et des lunettes de protection quand vous maniez les batteries et les câbles de batterie. Évitez tout contact avec l'acide des batteries.

4. Branchez le cordon d'alimentation CA du chargeur sur une prise mise à la terre correctement.
5. Branchez le cordon CC du chargeur sur la prise de batterie de la machine située sous le réservoir de récupération (Figure 23). Posez le réservoir de récupération sur la béquille de support, afin de faciliter la ventilation durant la mise en charge.

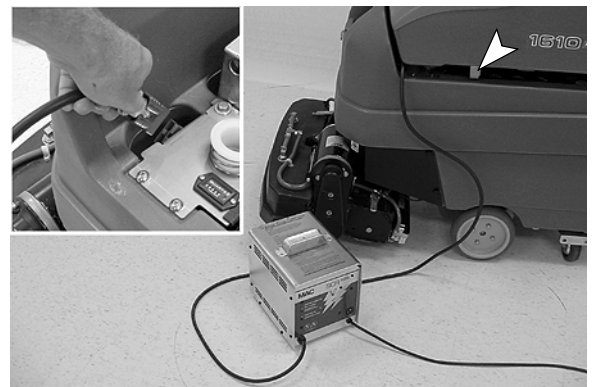


FIG. 23

6. Le chargeur commence automatiquement à charger et se coupe lorsque les batteries sont complètement chargées.

REMARQUE : La machine ne fonctionne plus dès que le chargeur de batterie est branché.

ATTENTION : Ne débranchez pas le cordon d'alimentation en courant continu de la prise de la machine lorsque le chargeur est en fonctionnement. Ceci peut provoquer des étincelles. Si le chargeur doit être arrêté durant la mise en charge, débranchez d'abord le cordon d'alimentation en courant alternatif.

FONCTIONNEMENT

⚠ MISE EN GARDE : Danger d'incendie ou d'explosion. Les batteries émettent du gaz hydrogène. Évitez toute étincelle et toute flamme nue à proximité des batteries. Laissez ouvert le compartiment des batteries pendant la mise en charge.

- Après le chargement, vérifiez à nouveau le niveau d'électrolyte (A). Le niveau doit se trouver environ à 1 cm (3/8") du bord inférieur de l'orifice de remplissage (B) (Figure 24). Ajoutez de l'eau distillée si nécessaire. **NE REMPLISSEZ PAS TROP.**

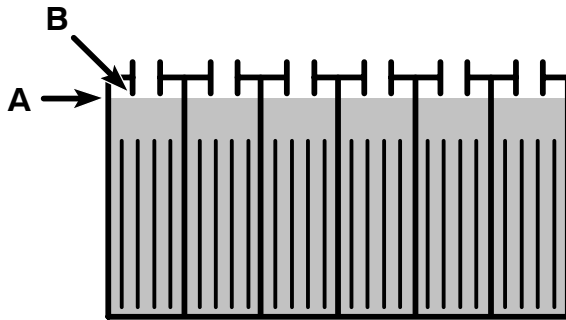


FIG. 24

ENTRETIEN DE LA MACHINE

Pour garder la machine en bon état de marche, suivez les procédures d'entretien quotidiennes, hebdomadaires et mensuelles.

POUR VOTRE SÉCURITÉ : Avant de quitter ou d'entretenir la machine, arrêtez-la sur une surface horizontale, coupez le contact.

⚠ MISE EN GARDE : Danger électrique. Débranchez les câbles de la batterie avant l'entretien ou la réparation de la machine.

ATTENTION : Contactez un service de réparation agréé pour les réparations de la machine. Les réparations effectuées sur la machine par une personne non autorisée entraînent l'annulation de votre garantie.

ENTRETIEN QUOTIDIEN (après chaque utilisation)

1. Vidangez et rincez le réservoir de récupération (Figure 25).



FIG. 25

2. Retirez et rincez le filtre à flotteur situé dans le réservoir de récupération (Figure 26).



FIG. 26

3. Vidangez et rincez le réservoir de solution.
4. Nettoyage ReadySpace : Retirez la protection anti-éclaboussures et vérifiez l'usure des rouleaux. Si la distance entre les deux rouleaux est supérieure à 4 mm, remplacez les rouleaux (Figure 27). Remplacez toujours les rouleaux par jeu.

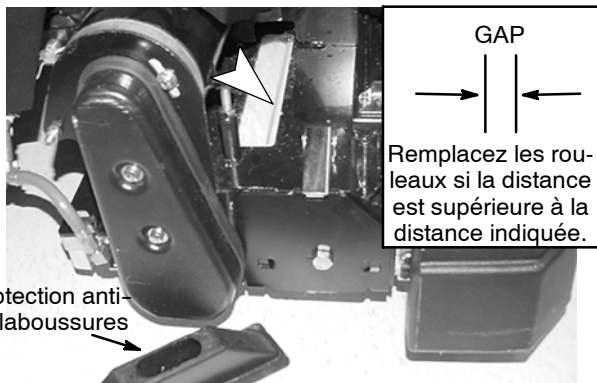


FIG. 27

5. Nettoyez le châssis de la machine avec un produit nettoyant tous usages et un chiffon humidifié (Figure 28).

POUR VOTRE SECURITÉ : Lorsque vous entretenez la machine, n'utilisez pas de jet de pression sur la machine. Un dysfonctionnement électrique risque de se produire.



FIG. 28

6. Rechargez les batteries (Figure 29). Voir CHARGE DES BATTERIES.

REMARQUE : Afin de prolonger la durée de vie des batteries, rechargez **UNIQUEMENT** les batteries si la machine a été utilisée 30 minutes ou plus.

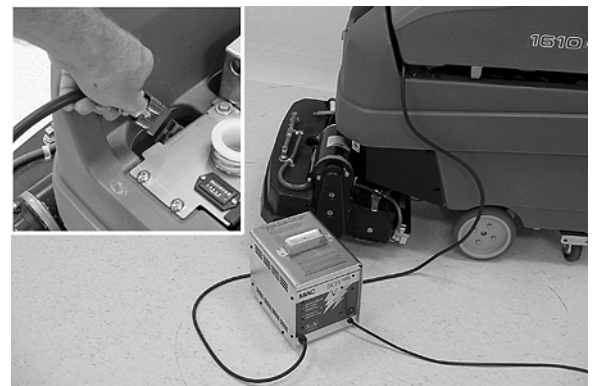


FIG. 29

Entretien HEBDOMADAIRE (après 10 heures d'utilisation)

1. Faites pivoter bout à bout les rouleaux ReadySpace toutes les 10 heures d'utilisation (Figure 30). La durée de vie des rouleaux est évaluée à 100 heures d'utilisation minimum dans des conditions normales de nettoyage. Si la distance entre les deux rouleaux est supérieure à 4 mm, remplacez les rouleaux.

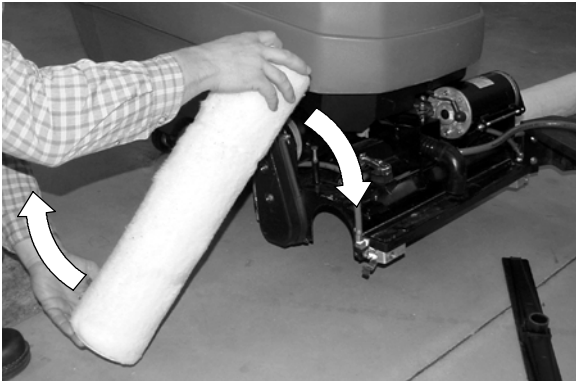


FIG. 30

2. Éliminez les débris accumulés au-dessous de la tête de brossage (Figure 31).

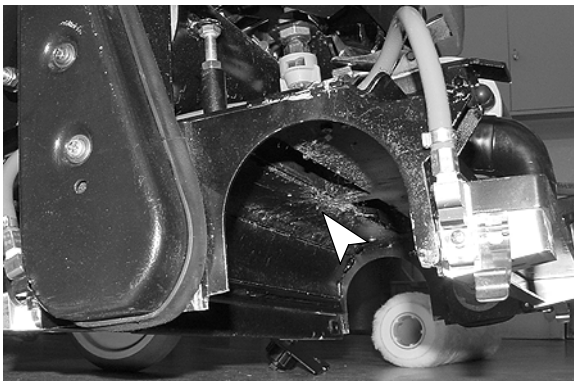


FIG. 31

3. Retirez les couvercles des sabots d'aspiration de rouleau avant et arrière et éliminez les débris (Figure 32).



FIG. 32

4. Retirez les fibres de moquettes et les débris enroulés sur les brosses (Figure 33). Remplacez les brosses si elles sont usées. Pour déterminer à quel moment les brosses usées doivent être remplacées, observez l'indicateur de pression des brosses.

Si vous n'arrivez pas à régler la pression dans la zone verte, ceci peut indiquer que les brosses doivent être remplacées.



FIG. 33

5. Éliminez les débris coincés dans le sabot d'aspiration lors de l'extraction de la moquette (Figure 34).

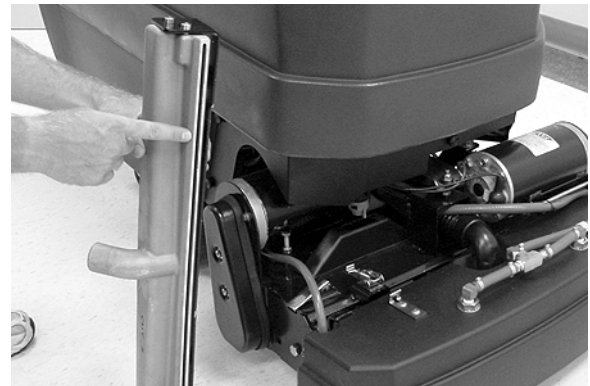


FIG. 34

6. Vérifiez si la forme de jet des gicleurs est correcte (Figure 35). Si la forme de jet est obstruée, nettoyez ou remplacez les gicleurs (Voir ENTRETIEN MENSUEL).



FIG. 35

ENTRETIEN MENSUEL (après 80 heures d'utilisation)

1. Retirez le filtre du réservoir de solution au-dessous de la machine et rincez les filtres. Assurez-vous que le réservoir de solution est vide au moment du démontage du filtre (Figure 36).

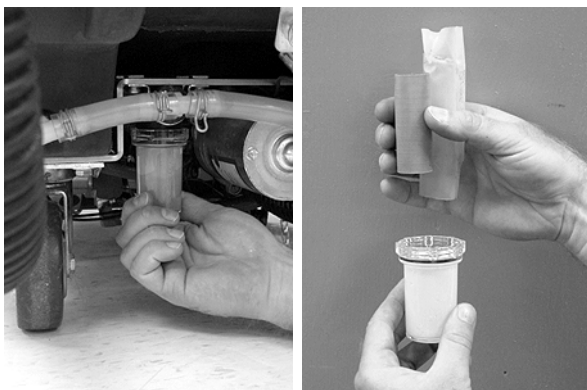


FIG. 36

2. Rincez le système de tuyauterie avec une solution d'acide acétique autorisée pour dissoudre la formation normale de produits alcalins. Suivez la procédure ci-après :
 - a. Retirez les rouleaux/brosses de la machine.
 - b. Versez 11 litres (3 gal) d'eau chaude dans le réservoir de solution, sans dépasser 60°C (140°F).

- c. Ajoutez la solution d'acide acétique en fonction des consignes de mélange indiquées sur la bouteille.

POUR VOTRE SÉCURITÉ : Lorsque vous utilisez la machine, suivez les instructions de mélange et de manipulation indiquées sur les conteneurs chimiques.

- d. Placez la machine dans une zone équipée d'un trou de vidange au sol.
 - e. Bloquez les roues et tournez le bouton de réglage de la vitesse sur la vitesse la plus lente.
 - f. Faites fonctionner les deux technologies de nettoyage pendant une minute chacune sur le trou de vidange au sol.

REMARQUE : Il est nécessaire de changer le sabot d'aspiration arrière pour utiliser les technologies de nettoyage ReadySpace et restauration par extraction.

- g. Coupez le contact et laissez reposer la machine pendant la nuit pour laisser la solution d'acide acétique agir contre la formation d'alcalins.
 - h. Le lendemain, dispersez le reste de la solution d'acide acétique et rincez le circuit de solution avec 11 litres d'eau propre.

3. Retirez les quatre gicleurs à ouverture rapide de la tête de brossage (Figure 32). Tournez les bouchons des gicleurs dans le sens contraire des aiguilles d'une montre pour les retirer. Immergez les gicleurs et les filtres dans une solution d'acide acétique pendant six heures (Figure 37). Suivez les instructions de mélange indiquées sur la bouteille. N'utilisez pas d'objet pointu pour nettoyer les gicleurs pour éviter tout dommage.

IMPORTANT : Lorsque vous remplacez les gicleurs, assurez-vous d'installer le gicleur vert (référence #11002) au-dessus des rouleaux ReadySpace et le gicleur blanc (référence #11005E) dans la protection avant. *REMARQUE :* Le filtre du gicleur n'est pas nécessaire pour ReadySpace.

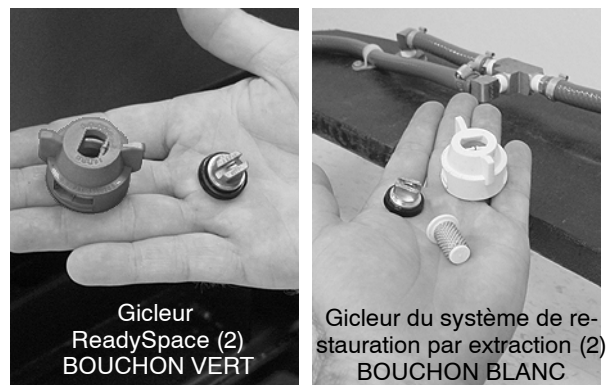


FIG. 37

Vérifiez la direction de la forme de jet après avoir installé les gicleurs. Les gicleurs ReadySpace doivent pulvériser directement entre les deux rouleaux. La forme de jet du système de restauration par extraction doit légèrement dépasser à un angle de 3° (Figure 38).

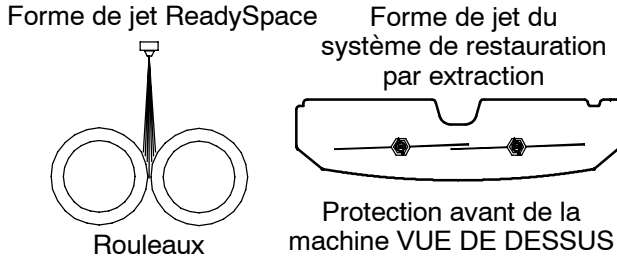


FIG. 38

- Vérifiez la forme de jet des gicleurs dans les deux conduites de rinçage ReadySpace (4 gicleurs). Si les gicleurs sont obstrués, retirez les conduites de rinçage et immergez-les dans une solution d'acide acétique pendant six heures (Figure 39). Ne retirez pas les gicleurs des conduites de rinçage.

REMARQUE : Pendant l'activation de ReadySpace, les gicleurs de la conduite de rinçage pulvérisent toutes les 2¹/₂ minutes pendant 3 secondes.

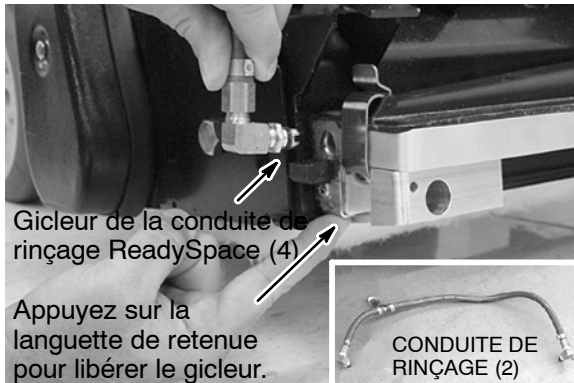


FIG. 39

- Entretenez les batteries (Voir ENTRETIEN DES BATTERIES).
- Lubrifiez les graisseurs des roulettes avec une graisse imperméable (Figure 40).



FIG. 40

- Lubrifiez toutes les articulations avec du silicone sous forme de spray ; puis, appliquez-y une graisse imperméable pour assurer un fonctionnement régulier.
- Vérifiez la présence éventuelle de fuites d'eau et le serrage des écrous et des boulons.
- Vérifiez périodiquement la tension de la courroie sur les deux moteurs de brosse. Serrez la courroie si vous arrivez à la tordre au-delà de 90° au point central (Figure 41).

POUR VOTRE SÉCURITÉ : Lorsque vous entretenez la machine, débranchez les connexions de batteries.

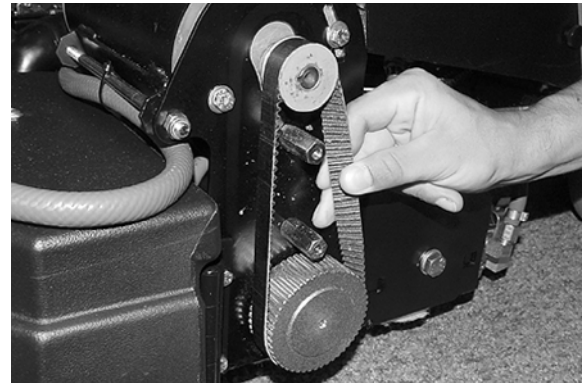


FIG. 41

ENTRETIEN DU MOTEUR

Trimestriel (toutes les 250 heures) - Vérifiez l'usure des balais de charbon du moteur de l'arbre de transmission et des moteurs d'aspiration. Remplacez les balais de charbon lorsqu'ils mesurent 10 mm ou moins.

Annuel (toutes les 1000 heures) - Vérifiez l'usure des balais de charbon des moteurs de brosses. Remplacez les balais de charbon lorsqu'ils mesurent 10 mm ou moins.

Contactez un service de réparation agréé pour les réparations de la machine.

POUR VOTRE SÉCURITÉ : Lors du dépannage de la machine, toutes les réparations doivent être effectuées uniquement par un technicien qualifié.

⚠ MISE EN GARDE : Danger de choc électrique. Débranchez les câbles de la batterie avant l'entretien ou la réparation de la machine.

ENTRETIEN DES BATTERIES

⚠ MISE EN GARDE : Danger d'incendie ou d'explosion. Les batteries émettent du gaz hydrogène. Évitez toute étincelle et toute flamme nue à proximité des batteries. Laissez ouvert le compartiment des batteries pendant la mise en charge.

POUR VOTRE SÉCURITÉ : Lorsque vous entretenez la machine, portez des gants et des lunettes de protection quand vous maniez les batteries et les câbles de batterie. Évitez tout contact avec l'acide des batteries.

1. Vérifiez la densité spécifique à l'aide d'un hydromètre, pour déterminer le niveau de charge et l'état des batteries (Figure 42). Si un ou plusieurs des éléments des batteries sont plus faibles que les autres éléments des batteries (de 0,050 ou plus), cela signifie qu'un ou plusieurs éléments sont endommagés, que leur capacité est réduite ou qu'ils vont bientôt tomber en panne. Comparez les mesures hydrométriques avec le tableau suivant pour déterminer le niveau de charge.

REMARQUE : N'effectuez pas de mesures juste après avoir ajouté de l'eau distillée. Si l'eau et l'acide ne sont pas bien mélangés, il se peut que les mesures ne soient pas exactes.



FIG. 42

DENSITÉ SPÉCIFIQUE à 27° C (80° F)	CHARGE DE BATTERIE
1.265	Chargée à 100%
1.223	Chargée à 75%
1.185	Chargée à 50%
1.148	Chargée à 25%
1.110	Déchargée

REMARQUE : Si les lectures sont effectuées quand l'électrolyte des batteries est à une température autre que 27° C (80° F), la lecture doit être corrigée. Ajoutez ou soustrayez 0,004 (4 points) à la lecture de densité spécifique, pour chaque 6° C (43° F) au-dessus ou au-dessous de 27° C (80° F).

2. Suivez toujours attentivement les instructions de chargement (Voir CHARGE DES BATTERIES).
3. Vérifiez le niveau d'électrolyte (A) dans chaque élément de batterie **après la mise en charge des batteries**. Le niveau doit se trouver environ à 1 cm du bord inférieur de l'orifice de remplissage (B). Ajoutez de l'eau distillée si nécessaire (Figure 43). **NE REMPLISSEZ PAS TROP.**

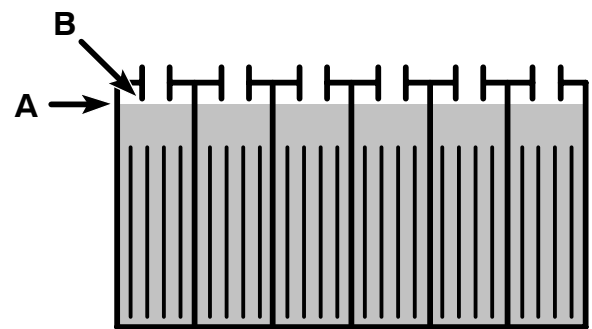


FIG. 43

4. Nettoyez la partie supérieure des batteries pour prévenir la corrosion des batteries.
Pour nettoyer les batteries :

POUR VOTRE SÉCURITÉ : Lorsque vous entretenez la machine, portez des gants et des lunettes de protection quand vous maniez les batteries et les câbles de batterie. Évitez tout contact avec l'acide des batteries.

- a. Préparez une solution concentrée de bicarbonate de soude (Figure 44).



FIG. 44

- b. Brossez les surfaces supérieures et les cosses de câbles des batteries en utilisant la solution avec modération.

FONCTIONNEMENT

REMARQUE : Veillez à ce que la solution de bicarbonate de soude ne pénètre pas dans les éléments des batteries.

- c. Utilisez une brosse métallique pour nettoyer les bornes et les cosses de câbles.
 - d. Après le nettoyage, appliquez une mince couche de graisse non métallique ou pulvérisez un produit de protection sur les connexions de câbles, afin d'empêcher la corrosion des batteries.
5. Vérifiez si les câbles ne sont pas débranchés ou usés. Remplacez-les s'ils sont usés.

AMORÇAGE DU SYSTEME DE SOLUTION

Les instructions suivantes s'appliquent à l'amorçage du système de solution de restauration par extraction. Le système de solution ReadySpace a un processus d'amorçage automatique.

L'amorçage du système de solution de restauration par extraction est seulement nécessaire si le réservoir de solution est vide ou en cas de formation de traînées centrales pendant le nettoyage.

Pour amorcer le système de solution :

Flexible de purge (p/n 700141) nécessaire. Doivent être achetés séparément.

1. Branchez le flexible de purge sur le raccord pour tuyau d'alimentation de solution (Figure 45).
2. Pour les machines équipées d'un bouton de distribution de solution, appuyez sur le bouton pour le placer en position de marche.
3. Mettez le contact et tournez les poignées de commande pendant environ 20 secondes.

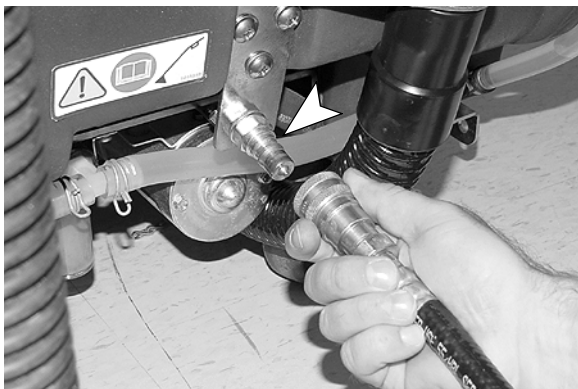


FIG. 45

LEVAGE DE LA MACHINE À L'AIDE D'UN CRIC

Utilisez l'endroit désigné sous le réservoir de solution pour soulever la machine à l'aide d'un cric. Utilisez un morceau de bois pour répartir la charge de la machine (Figure 46).

Arrêtez la machine sur une surface plane et bloquez les roues de la machine, avant de la soulever à l'aide d'un cric.



FIG. 46

POUR VOTRE SÉCURITÉ : Lors de l'entretien de la machine, utilisez le cric uniquement aux endroits désignés à cet effet. Bloquez la machine avec les chandelles.

TRANSPORT DE LA MACHINE

Lorsque vous transportez la machine à l'aide d'une remorque ou d'un camion, veuillez suivre les instructions suivantes pour attacher la machine.

POUR VOTRE SÉCURITÉ : Lors de l'utilisation de la machine, roulez lentement sur les pentes et sur les surfaces glissantes.

1. Relevez la tête de brosse en position de transport.
2. Chargez la machine à l'aide d'une rampe de chargement recommandée.
3. Placez l'avant de la machine contre l'avant de la remorque ou du camion. Une fois la machine en place, abaissez la tête de brosse et coupez le contact.
4. Placez un bloc derrière chaque roue motrice pour éviter que la machine ne roule.
5. Passez des sangles par-dessus la machine pour l'empêcher de basculer. Il se peut qu'il soit nécessaire d'installer des brides d'attache au plancher de votre remorque ou camion.

REMARQUE : N'utilisez pas les poignées de commande pour attacher la machine pendant le transport.

POUR VOTRE SÉCURITÉ : Lors du transport de la machine, utilisez une rampe recommandée lorsque vous chargez la machine sur le camion ou la remorque ou lorsque vous la déchargez, utilisez des sangles pour fixer la machine sur le camion ou la remorque.

REMARQUE : Lors du transport de la machine à des températures inférieures à 0 °C, voir ENTREPOSAGE DE LA MACHINE.

ENTREPOSAGE DE LA MACHINE

1. Chargez les batteries avant l'entreposage. N'entreposez jamais la machine avec des batteries déchargées.
2. Vidangez et rincez les réservoirs soigneusement.
3. Entreposez la machine à l'abri de l'humidité en veillant à relever la tête de broyage.
4. Enlevez le couvercle du réservoir de récupération pour favoriser la circulation d'air.

ATTENTION : Lorsque vous entreposez la machine à des températures inférieures à 0 °C, veillez à vidanger les réservoirs de vidange, à purger la pompe et à retirer le filtre du réservoir de solution situé sous la machine à l'arrière.

ATTENTION : N'exposez pas la machine à la pluie; entreposez-la à l'intérieur.

ARTICLES DE STOCK RECOMMANDÉS

Reportez-vous à la section Liste des pièces du manuel pour les articles de stock recommandés. Les articles de stock sont clairement identifiés à l'aide d'un point précédant la description de la pièce. Voir l'exemple ci-dessous :

Ref.	Part No.	Description	Qty.
1	701103	ASM.,STANDPIPE	1
2	180618	●FLOAT, SHUTOFF	1
3	230197	NIPPLE	1
4	101714	●GASKET	1
5	210240	NUT, FLANGED	1

DÉPISTAGE DES PANNES

PROBLÈME	CAUSE	REMÈDE
Machine hors tension.	Le contact est coupé.	Mettez le contact.
	Le bouton d'arrêt d'urgence est activé.	Tournez le bouton dans le sens des aiguilles d'une montre pour réenclencher
	Le coupe-circuit alimentation principale s'est déclenché.	Réenclenchez le coupe-circuit.
	Batteries déchargées.	Rechargez les batteries.
	Câble de batterie desserré ou débranché.	Vérifiez les connexions du câble de batterie.
	Fin de vie de la batterie.	Remplacez les batteries.
Le ou les moteurs de brosses ne fonctionnent pas.	Les poignées de commande ne sont pas actionnées.	Faites tourner les poignées de commande vers l'avant.
	Coupe-circuit(s) du moteur de brosse déclenché(s).	Déterminez la cause et réenclenchez le coupe-circuit.
	Le bouton de solution est en position off.	Le bouton de solution doit être mis sur on pour activer les moteurs de brosse.
	Interrupteur de tension faible activé.	Rechargez les batteries.
	Courroie lâche ou cassée.	Contactez le service de dépannage.
	Moteur ou câble de la brosse défectueux.	Contactez le service de dépannage.
	Balais au charbon du moteur usé.	Contactez le service de dépannage.
Le ou les moteurs d'aspiration ne fonctionnent pas.	La tête de brossage est relevée.	Abaissez la tête de brossage.
	Interrupteur de tension faible activé.	Rechargez les batteries.
	Fusible grillé.	Remplacez le fusible. (#768688 - Fusible 30A)
	Moteur ou câble de l'extracteur défectueux.	Contactez le service de dépannage.
	Balais au charbon du moteur usé.	Contactez le service de dépannage.
La machine n'est pas propulsée ou est propulsée incorrectement.	Le frein parking est engagé.	Relâchez la pédale du frein parking.
	Le bouton de solution est en position off.	Le bouton de solution doit être activé lors du nettoyage ReadySpace.
	Coupe-circuit du moteur d'entraînement déclenché.	Déterminez la cause et réenclenchez le coupe-circuit.
	Potentiomètre ou carte du circuit de commande de la vitesse défectueux.	Contactez le service de dépannage.
	Moteur ou câble d'entraînement défectueux.	Contactez le service de dépannage.
	Balais au charbon du moteur usé.	Contactez le service de dépannage.
La tête de brossage ne s'abaisse pas.	Le câble #47 n'est pas relié aux batteries.	Branchez le câble #47 aux batteries comme illustré sur le plan de connexion des câbles de batteries.
	Interrupteur de tension faible activé.	Rechargez les batteries.

DÉPISTAGE DES PANNES - Suite

PROBLÈME	CAUSE	REMÈDE
Aucune pulvérisation de solution ou la pulvérisation de la solution n'est pas homogène.	Les poignées de commande ne sont pas actionnées.	Actionnez les poignées de commande pour activer la pulvérisation.
	Le bouton de solution est en position off.	Activez le bouton du système de distribution de la solution.
	La tête de brossage n'est pas abaissée.	Abaissez la tête de brossage.
	Le réservoir de solution est vide.	Remplissez le réservoir de solution.
	Un sabot d'aspiration arrière incorrect est installé.	Installez un sabot d'aspiration correct.
	Gicleurs obstrués.	Nettoyez les gicleurs.
	Filtre du réservoir de solution obstrué.	Nettoyez le filtre du réservoir de solution.
	Conduite de solution obstruée.	Rincez le circuit de tuyauterie.
	Pompe ou solénoïde défectueuse.	Contactez le service de dépannage.
Des traînées se forment.	Faible pression de pulvérisation de la solution.	Amorcez le système de distribution de la solution (Voyons AMORCAGE DU SYSTEME DE SOLUTION)
	Gicleurs obstrués.	Nettoyez les gicleurs.
	Forme de jet des gicleurs désaxée.	Réalignez les gicleurs.
	Filtre du réservoir de solution obstrué.	Nettoyez le filtre du réservoir de solution.
	Conduite de solution obstruée.	Rincez le circuit de tuyauterie.
La tête de brossage continue de répandre de l'eau lors de l'utilisation des accessoires.	Le bouton de solution est en position on.	Appuyez sur le bouton de solution du symbole de l'accessoire (position off).
	Le sabot arrière de ramassage par extraction du ReadySpace est installé sur la tête de brossage. (<i>Machines avec numéro de série inférieur à 10243221</i>)	Le sabot de ramassage par extraction doit être installé afin de désactiver le débit de solution vers la tête de brossage.
Ramassage de l'eau non satisfaisant.	Réservoir de récupération plein.	Faites la vidange du réservoir de récupération.
	Rouleaux ReadySpace usés.	Remplacez les rouleaux.
	Sabots d'aspiration obstrués.	Nettoyez les sabots d'aspiration.
	Un sabot d'aspiration arrière incorrect est installé.	Installez un sabot d'aspiration correct.
	Filtre d'arrêt à flotteur obstrué à l'intérieur du réservoir de récupération.	Nettoyez le filtre.
	Bouchon du tuyau de vidange du réservoir de récupération desserré.	Resserrez le bouchon.
	Tuyau d'aspiration mal fixé ou débranché.	Fixez correctement les manchons de tuyau.
	Tuyau d'aspiration obstrué.	Enlevez les débris obstrués.

DÉPISTAGE DES PANNES - Suite

PROBLÈME	CAUSE	REMÈDE
Ramassage de l'eau non satisfaisant.	Tuyau d'aspiration défectueux.	Remplacez le tuyau d'aspiration.
	Le couvercle du réservoir de récupération est mal placé.	Placez correctement le couvercle.
	Joint d'étanchéité du couvercle de réservoir usé.	Remplacez le joint.
Une mousse excessive apparaît sur le sol pendant le nettoyage ReadySpace.	Des détergents de nettoyage ont été ajoutés au réservoir de solution.	Vidangez et rincez le réservoir de solution et remplissez-le avec de l'eau uniquement, n'ajoutez pas de détergents de nettoyage.
	Un détergent de nettoyage de prétraitement non agréé a été prépulvérisé sur le sol.	Utilisez le détergent de pré-traitement ReadySpace
Impossible de régler l'appareil de mesure de la pression des brosses dans la zone verte ou l'appareil n'indique aucune mesure.	Brosses d'extracteur usées.	Remplacez les brosses
	Coupe-circuit déclenché.	Réenclenchez le bouton du coupe-circuit de brosse.
	Courroie du moteur de brosse avant lâche ou cassée.	Contactez le service de dépannage.
Durée de fonctionnement réduite.	Niveau de charge des batteries faible.	Rechargez les batteries.
	Batteries défectueuses.	Remplacez les batteries.
	Les batteries doivent être entretenues.	Voir ENTRETIEN DES BATTERIES.
	Chargeur défectueux.	Réparez ou remplacez le chargeur de batterie.
Le ou les gicleurs s'égouttent lorsqu'ils ne sont pas utilisés. (Voir SCHEMA DE DISTRIBUTION DE LA SOLUTION pour référence)	Soupape de dérivation obstruée.(Gicleurs ReadySpace)	Nettoyez ou remplacez la soupape de dérivation.
	Filtre de gicleur obstrué.(Gicleurs d'extraction de restauration)	Nettoyez ou remplacez le filtre de gicleur.
	Solénoïde obstrué ou défectueux.	Nettoyez ou remplacez le solénoïde.

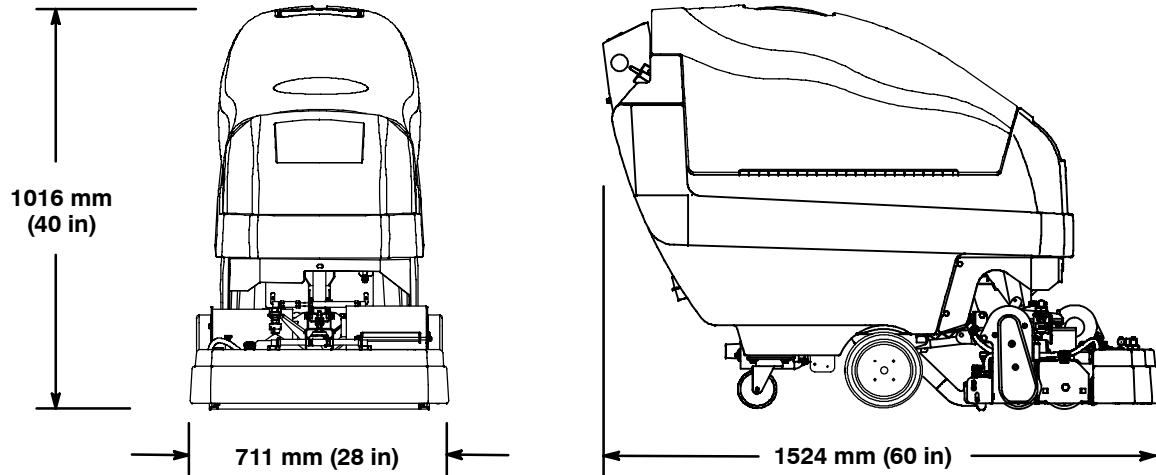
CARACTERISTIQUES TECHNIQUES DE LA MACHINE

MODÈLE	Tennant 1610
LONGUEUR	1 524 mm (60 in)
LARGEUR	711 mm (28 in)
HAUTEUR	1 067 mm (42 in)
POIDS	268 Kg (590 lbs) / 154 Kg (340 lbs) avec batteries
CAPACITÉ DU RÉSERVOIR DE RÉCUPÉRATION	79 l (21 gallons)
CAPACITÉ DU RÉSERVOIR DE SOLUTION	79 l (21 gallons)
TAUX DE RENDEMENT (MAX)	Nettoyage ReadySpace : 1 200 m ² (13000 sq. ft.) par heure
	Nettoyage de restauration par extraction : 1 000 m ² (11000 sq. ft.) par heure
VITESSE DE DÉPLACEMENT (MAX)	Nettoyage ReadySpace : 36,5 m (120 ft.) par minute
	Nettoyage de restauration par extraction : 30,5 m (100 ft.) par minute
	Transport : 76 m (250 ft.) par minute
LARGEUR DE LA TRACE DE NETTOYAGE	559 mm (22 in)
SYSTÈME D'ENTRAÎNEMENT	Arbre de transmission, 24 V, 104 W
MOTEUR DE BROSSE	Deux, 24 V, 17 A, 0,625 CV, 700 tr./Min.
MOTEUR D'ASPIRATION	Deux, 24 Vcc, 21 A, 535 W, 3 étages, 145 mm (5.7 in)
HAUTEUR D'ASPIRATION/ DÉBIT D'AIR	3050 mm (120 in) / 1.84 m ³ (65 f ³) par minute
POMPE	24V, 4.5A, 6.9 bar (100 psi), 3.8 L (1 gal.) par minute
DÉBIT DE LA SOLUTION	Nettoyage ReadySpace : 1,3 l (0.33 gal.) par minute
	Nettoyage de restauration par extraction : 3,8 l (1 gal.) par minute
TENSION DU COURANT CONTINU	24 VCC
CONSOMMATION ÉLECTRIQUE TOTALE	65 A nominal
BATTERIES	Quatre, 6 V à cycle intensif
CAPACITÉ DES BATTERIES	180 Ah / autonomie de 5 heures
DURÉE DE FONCTIONNEMENT PAR CHARGE	Jusqu'à 2,5 heures
DEGRÉ DE PROTECTION	4IPX
NIVEAU DE PUISSANCE SONORE	72 dB (1m x 1m)
NIVEAU SONORE AU NIVEAU DE L'OREILLE DE L'OPÉRATEUR, À L'INTÉRIEUR.	72 dB (A)
VIBRATION AU NIVEAU DES COMMANDES MANUELLES	<1,0 m/s ²
DEGRÉ MAXIMAL D'INCLINAISON	19% (11°) Transport / 5 % (3°) Nettoyage

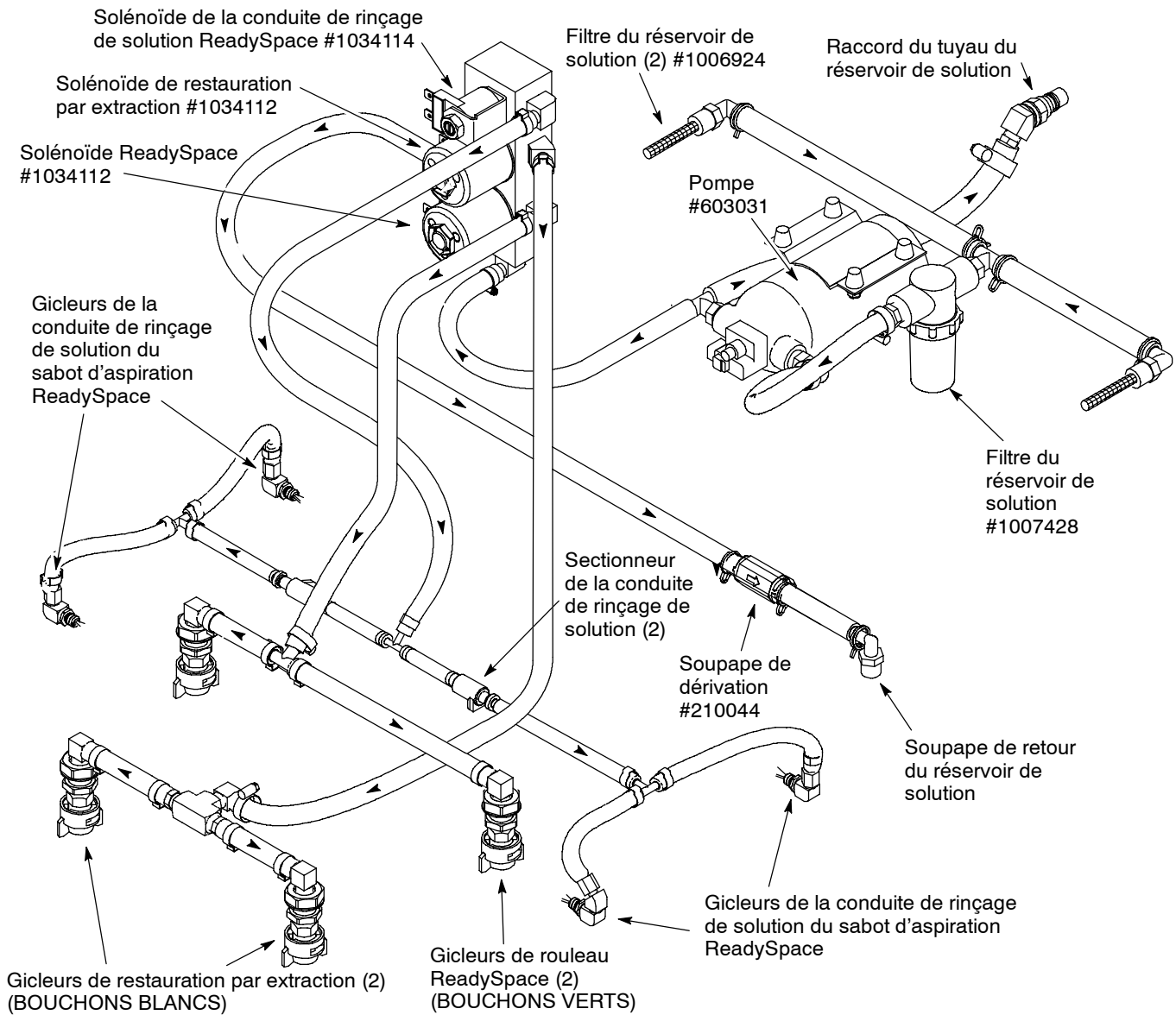
Les spécifications sont susceptibles d'être modifiées sans avis préalable.

FONCTIONNEMENT

DIMENSIONS DE LA MACHINE



CIRCUIT DU DÉBIT DE SOLUTION (APRÈS LE NUMÉRO DE SÉRIE 10314332)



CIRCUIT DU DÉBIT DE SOLUTION (AVANT LE NUMÉRO DE SÉRIE 10314332)

